



07

Morsetti Clamps

NEWS 2014



Morsetti per Balaustre e Parapetti
Clamps for Balustrades and Parapets

pag. 0624



Morsetti per Box doccia
Clamps for Showers

pag. 0646



Morsetti per Porte
Clamps for Doors
- Linea GFS/*GFS Line*
- Linea Standard/*Standard Line*

pag. 0654

pag. 0657

Clamps

Morsetti





Morsetti

Clamps

Morsetti per Balaustre e Parapetti

Clamps for Balustrades and Parapets

NORMATIVA DIN / EN 12600
DIN / EN 12600 STANDARD



I morsetti per parapetti inseriti nel nostro catalogo sono testati secondo Normativa Europea EN-12600. La normativa prevede che il vetro non deve rompersi neppure sotto carichi estremi come una forza dinamica di 50 kg. Tutti i morsetti sono stati approvati dall'ufficio federale tedesco AbZ, massimo livello competente dei controlli delle costruzioni.

The clamps for balustrades of our catalogue are tested according to European Standard EN-12600. According to the legislation, the glass doesn't have to break even under extreme loads as a dynamic force of 50 kg. All the clamps have been approved by the german federal AbZ office, which represents the highest competent level of controls in the construction field.



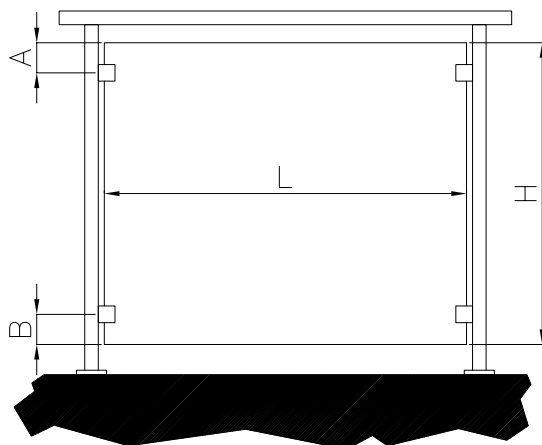
Sono stati inoltre eseguiti dei test che permettono di determinare la larghezza massima dei vetri utilizzabili in varie casistiche di applicazione. Di seguito sono illustrate delle tabelle riassuntive che forniscono i risultati dei test, espressi come larghezza massima del vetro da installare.

Le prove sono state effettuate prendendo in considerazione le seguenti varianti:

- modello del morsetto
- utilizzo di spine o piastrini di sicurezza
- tipo e spessore del vetro
- luogo di installazione
- spinta del vento (su esterni)

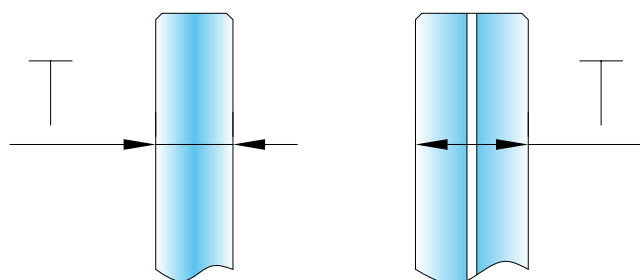
Even tests that allow to determine the maximum width of the glass to be used in different applications have been performed. Here below there are some summary tables which provide the test results, express as maximum width of the glass to be installed. The tests have been carried out taking into consideration the following variables:

- model of clamp
- use of safety pins or security bases
- type and thickness of the glass
- location of installation
- wind strength (on the outside)



	minimo / minimum	massimo / maximum
A	100 mm	150 mm
B	100 mm	150 mm
H	800 mm	1000 mm
L	500 mm	vedi tabelle/see charts

Tipi di vetro utilizzati / Typologies of glass



- V1 = monolitico temprato, testato con Heat Soak Test
monolithic tempered glass, tested with HeatSoak Test
- V2 = stratificato di sicurezza
laminated safety glass
- V3 = temprato stratificato
laminated tempered glass
- V4 = temprato termico stratificato
thermic laminated tempered glass

Installazione su ESTERNI senza spine e senza piastrini di sicurezza

OUTSIDE installation without security pins and without security base

Morsetto / Clamp	Materiale / Material	Vetro / Glass	T mm	Spinta del vento kN/m ² / Wind pressure kN/m ²					
				0,64	1,00	1,04	1,40	1,60	2,20
				L (max) mm					
Art. 42	AISI 316	V1	8	1500	1400	1400	1000	1000	800
Art. 42	AISI 316	V1	10	1500	1500	1500	1400	1400	800
Art. 42	AISI 316	V3	8,76	1200	1000	800	500	500	
Art. 42	AISI 316	V3	9,52	1200	1000	800	500	500	
Art. 42	AISI 316	V4	8,76	800	500	500			
Art. 42	AISI 316	V4	9,52	800	500	500			
Art. 43	AISI 316	V1	12	1600	1600	1600	1600	1600	1400
Art. 43	AISI 316	V1	16	1600	1600	1600	1600	1600	1600
Art. 43	AISI 316	V2	12,76	1200	1000	800	800	500	500
Art. 43	AISI 316	V2	13,52	1200	1000	800	800	500	500
Art. 43	AISI 316	V2	16,76	1500	1200	1200	1000	1000	800
Art. 43	AISI 316	V2	17,52	1500	1200	1200	1000	1000	800
Art. 43	AISI 316	V3	12,76	1600	1500	1400	1200	1200	1000
Art. 43	AISI 316	V3	13,52	1600	1500	1400	1200	1200	1000
Art. 43	AISI 316	V3	16,76	1600	1600	1600	1600	1500	1200
Art. 43	AISI 316	V3	17,52	1600	1600	1600	1600	1500	1200
Art. 43	AISI 316	V4	12,76	1500	1000	1000	800	800	500
Art. 43	AISI 316	V4	13,52	1500	1000	1000	800	800	500
Art. 43	AISI 316	V4	16,76	1500	1500	1500	1200	1200	1000
Art. 43	AISI 316	V4	17,52	1500	1500	1500	1200	1200	1000
Art. 45	AISI 316	V1	12	1500	1500	1500	1500	1500	1400
Art. 45	AISI 316	V3	10,76	1500	1200	1200	800	800	800
Art. 45	AISI 316	V3	11,52	1500	1200	1200	800	800	800
Art. 45	AISI 316	V3	12,76	1500	1500	1400	1200	1200	800
Art. 45	AISI 316	V4	10,76	1200	800	800	500	500	500
Art. 45	AISI 316	V4	11,52	1200	800	800	500	500	500
Art. 45	AISI 316	V4	12,76	1200	800	800	800	800	500
Art. 46	AISI 316	V1	8	1400	1400	1400	1200	1000	800
Art. 46	AISI 316	V1	10	1400	1400	1400	1400	1400	1000
Art. 46	AISI 316	V1	12	1400	1400	1400	1400	1400	1400
Art. 46	AISI 316	V3	8,76	1200	800	800	800	800	500
Art. 46	AISI 316	V3	9,52	1200	800	800	800	800	500
Art. 46	AISI 316	V3	10,76	1400	1200	1000	1000	800	800
Art. 46	AISI 316	V3	11,52	1400	1200	1000	1000	800	800
Art. 46	AISI 316	V3	12,76	1400	1400	1400	1200	1000	800
Art. 46	AISI 316	V4	8,76	800	500	500			
Art. 46	AISI 316	V4	9,52	800	500	500			
Art. 46	AISI 316	V4	10,76	1000	800	800	800	500	
Art. 46	AISI 316	V4	11,52	1000	800	800	800	500	
Art. 46	AISI 316	V4	12,76	1200	1000	1000	800	800	500

Morsetti per Balaustre e Parapetti

Clamps for Balustrades and Parapets

NORMATIVA DIN / EN 12600
DIN / EN 12600 STANDARD



GFS
Innovate by Design

Installazione su INTERNI senza spine e
senza piastri di sicurezza

*INSIDE installation without security pins
and without security base*

Morsetto / Clamp	Materiale / Material	Vetro / Glass	T mm	L (max) mm
Art. 40	Zama / Zamak	V1	8	1200
Art. 41	Zama / Zamak	V3	8,76	1200
Art. 41	Zama / Zamak	V3	9,52	1200
Art. 42	Zama / Zamak	V1	8	1500
Art. 42	Zama / Zamak	V1	10	1500
Art. 42	Zama / Zamak	V3	8,76	1500
Art. 42	Zama / Zamak	V3	9,52	1500
Art. 42	Zama / Zamak	V4	8,76	1500
Art. 42	Zama / Zamak	V4	9,52	1500
Art. 43	Zama / Zamak	V1	12	1600
Art. 43	Zama / Zamak	V1	16	1600
Art. 43	Zama / Zamak	V2	12,76	1500
Art. 43	Zama / Zamak	V2	13,52	1500
Art. 43	Zama / Zamak	V2	16,76	1500
Art. 43	Zama / Zamak	V2	17,52	1500
Art. 43	Zama / Zamak	V3	12,76	1600
Art. 43	Zama / Zamak	V3	13,52	1600
Art. 43	Zama / Zamak	V3	16,76	1600
Art. 43	Zama / Zamak	V3	17,52	1600
Art. 43	Zama / Zamak	V4	12,76	1500
Art. 43	Zama / Zamak	V4	13,52	1500
Art. 43	Zama / Zamak	V4	16,76	1500
Art. 43	Zama / Zamak	V4	17,52	1500
Art. 45	Zama / Zamak	V1	12	1500
Art. 45	Zama / Zamak	V3	10,76	1500
Art. 45	Zama / Zamak	V3	11,52	1500
Art. 45	Zama / Zamak	V3	12,76	1500
Art. 45	Zama / Zamak	V4	10,76	1500
Art. 45	Zama / Zamak	V4	11,52	1500
Art. 45	Zama / Zamak	V4	12,76	1500
Art. 46	Zama / Zamak	V1	8	1400
Art. 46	Zama / Zamak	V1	10	1600
Art. 46	Zama / Zamak	V1	12	1600
Art. 46	Zama / Zamak	V3	8,76	1400
Art. 46	Zama / Zamak	V3	9,52	1400
Art. 46	Zama / Zamak	V3	10,76	1600
Art. 46	Zama / Zamak	V3	11,52	1600
Art. 46	Zama / Zamak	V3	12,76	1600
Art. 46	Zama / Zamak	V4	8,76	1400
Art. 46	Zama / Zamak	V4	9,52	1400
Art. 46	Zama / Zamak	V4	10,76	1600
Art. 46	Zama / Zamak	V4	11,52	1600
Art. 46	Zama / Zamak	V4	12,76	1600

Morsetto / Clamp	Materiale / Material	Vetro / Glass	T mm	L (max) mm
Art. 40	AISI 316	V1	8	1200
Art. 41	AISI 316	V3	8,76	1200
Art. 41	AISI 316	V3	9,52	1200
Art. 42	AISI 316	V1	8	1500
Art. 42	AISI 316	V1	10	1500
Art. 42	AISI 316	V3	8,76	1500
Art. 42	AISI 316	V3	9,52	1500
Art. 42	AISI 316	V4	8,76	1500
Art. 42	AISI 316	V4	9,52	1500
Art. 43	AISI 316	V1	12	1600
Art. 43	AISI 316	V1	16	1600
Art. 43	AISI 316	V2	12,76	1500
Art. 43	AISI 316	V2	13,52	1500
Art. 43	AISI 316	V2	16,76	1500
Art. 43	AISI 316	V2	17,52	1500
Art. 43	AISI 316	V3	12,76	1600
Art. 43	AISI 316	V3	13,52	1600
Art. 43	AISI 316	V3	16,76	1600
Art. 43	AISI 316	V3	17,52	1600
Art. 43	AISI 316	V4	12,76	1500
Art. 43	AISI 316	V4	13,52	1500
Art. 43	AISI 316	V4	16,76	1500
Art. 43	AISI 316	V4	17,52	1500
Art. 45	AISI 316	V1	12	1500
Art. 45	AISI 316	V3	10,76	1500
Art. 45	AISI 316	V3	11,52	1500
Art. 45	AISI 316	V3	12,76	1500
Art. 45	AISI 316	V4	10,76	1500
Art. 45	AISI 316	V4	11,52	1500
Art. 45	AISI 316	V4	12,76	1500
Art. 46	AISI 316	V1	8	1400
Art. 46	AISI 316	V1	10	1600
Art. 46	AISI 316	V1	12	1600
Art. 46	AISI 316	V3	8,76	1400
Art. 46	AISI 316	V3	9,52	1400
Art. 46	AISI 316	V3	10,76	1600
Art. 46	AISI 316	V3	11,52	1600
Art. 46	AISI 316	V3	12,76	1600
Art. 46	AISI 316	V4	8,76	1400
Art. 46	AISI 316	V4	9,52	1400
Art. 46	AISI 316	V4	10,76	1600
Art. 46	AISI 316	V4	11,52	1600
Art. 46	AISI 316	V4	12,76	1600

Installazione su ESTERNI con spine e senza piastrini di sicurezza

OUTSIDE installation with security pins and without security base

Morsetto / Clamp	Materiale / Material	Vetro / Glass	T mm	Spinta del vento kN/m ² / Wind pressure kN/m ²					
				0,64	1,00	1,04	1,40	1,60	2,20
				L (max) mm					
Art. 43	AISI 316	V1	12	1600	1600	1600	1600	1500	1400
Art. 43	AISI 316	V1	16	1600	1600	1600	1600	1600	1600
Art. 43	AISI 316	V3	12,76	1500	1200	1200	800	800	500
Art. 43	AISI 316	V3	13,52	1500	1200	1200	800	800	500
Art. 43	AISI 316	V3	16,76	1600	1600	1600	1400	1200	1000
Art. 43	AISI 316	V3	17,52	1600	1600	1600	1400	1200	1000
Art. 45	AISI 316	V3	12,76	1600	1400	1400	1000	1000	800

Installazione su INTERNI con spine e senza piastrini di sicurezza

INSIDE installation with security pins and without security base

Morsetto / Clamp	Materiale / Material	Vetro / Glass	T mm	L (max) mm
Art. 43	Zama / Zamak	V1	12	1600
Art. 43	Zama / Zamak	V1	16	1600
Art. 43	Zama / Zamak	V3	12,76	1600
Art. 43	Zama / Zamak	V3	13,52	1600
Art. 43	Zama / Zamak	V3	16,76	1600
Art. 43	Zama / Zamak	V3	17,52	1600
Art. 45	Zama / Zamak	V3	12,76	1600

Morsetto / Clamp	Materiale / Material	Vetro / Glass	T mm	L (max) mm
Art. 43	AISI 316	V1	12	1600
Art. 43	AISI 316	V1	16	1600
Art. 43	AISI 316	V3	12,76	1600
Art. 43	AISI 316	V3	13,52	1600
Art. 43	AISI 316	V3	16,76	1600
Art. 43	AISI 316	V3	17,52	1600
Art. 45	AISI 316	V3	12,76	1600



Morsetti per Balaustre e Parapetti

Clamps for Balustrades and Parapets

NORMATIVA DIN / EN 12600
DIN / EN 12600 STANDARD



GFS
Innovate by Design

Installazione su **ESTERNI** senza spine e con piastrini di sicurezza

OUTSIDE installation without security pins and with security base

Morsetto / Clamp	Materiale / Material	Vetro / Glass	T mm	Spinta del vento kN/m ² / Wind pressure kN/m ²					
				0,64	1,00	1,04	1,40	1,60	2,20
				L (max) mm					
Art. 43	AISI 316	V1	12	1600	1600	1600	1600	1500	1400
Art. 43	AISI 316	V1	16	1600	1600	1600	1600	1600	1600
Art. 43	AISI 316	V3	12,76	1500	1200	1200	800	800	500
Art. 43	AISI 316	V3	13,52	1500	1200	1200	800	800	500
Art. 43	AISI 316	V3	16,76	1600	1500	1500	1400	1200	1000
Art. 43	AISI 316	V3	17,52	1600	1500	1500	1400	1200	1000
Art. 43	AISI 316	V4	12,76	1500	800	800	500	500	500
Art. 43	AISI 316	V4	13,52	1500	800	800	500	500	500
Art. 43	AISI 316	V4	16,76	1500	1200	1200	1000	800	500
Art. 43	AISI 316	V4	17,52	1500	1200	1200	1000	800	500
Art. 46	AISI 316	V1	8	1400	1400	1400	1400	1000	800
Art. 46	AISI 316	V1	10	1400	1400	1400	1400	1400	1000
Art. 46	AISI 316	V1	12	1400	1400	1400	1400	1400	1400
Art. 46	AISI 316	V3	8,76	1200	800	800	800	800	500
Art. 46	AISI 316	V3	9,52	1200	800	800	800	800	500
Art. 46	AISI 316	V3	10,76	1400	1200	1000	1000	800	800
Art. 46	AISI 316	V3	11,52	1400	1200	1000	1000	800	800
Art. 46	AISI 316	V3	12,76	1400	1400	1400	1200	1000	800

Installazione su **INTERNI** senza spine e con piastrini di sicurezza

INSIDE installation without security pins and with security base

Morsetto / Clamp	Materiale / Material	Vetro / Glass	T mm	L (max) mm
Art. 43	Zama / Zamak	V1	12	1600
Art. 43	Zama / Zamak	V1	16	1600
Art. 43	Zama / Zamak	V3	12,76	1600
Art. 43	Zama / Zamak	V3	13,52	1600
Art. 43	Zama / Zamak	V3	16,76	1600
Art. 43	Zama / Zamak	V3	17,52	1600
Art. 43	Zama / Zamak	V4	12,76	1500
Art. 43	Zama / Zamak	V4	13,52	1500
Art. 43	Zama / Zamak	V4	16,76	1500
Art. 43	Zama / Zamak	V4	17,52	1500
Art. 46	Zama / Zamak	V1	8	1400
Art. 46	Zama / Zamak	V1	10	1400
Art. 46	Zama / Zamak	V1	12	1400
Art. 46	Zama / Zamak	V3	8,76	1400
Art. 46	Zama / Zamak	V3	9,52	1400
Art. 46	Zama / Zamak	V3	10,76	1400
Art. 46	Zama / Zamak	V3	11,52	1400
Art. 46	Zama / Zamak	V3	12,76	1400

Morsetto / Clamp	Materiale / Material	Vetro / Glass	T mm	L (max) mm
Art. 43	AISI 316	V1	12	1600
Art. 43	AISI 316	V1	16	1600
Art. 43	AISI 316	V3	12,76	1600
Art. 43	AISI 316	V3	13,52	1600
Art. 43	AISI 316	V3	16,76	1600
Art. 43	AISI 316	V3	17,52	1600
Art. 43	AISI 316	V4	12,76	1500
Art. 43	AISI 316	V4	13,52	1500
Art. 43	AISI 316	V4	16,76	1500
Art. 43	AISI 316	V4	17,52	1500
Art. 45	AISI 316	V1	8	1400
Art. 45	AISI 316	V1	10	1400
Art. 45	AISI 316	V1	12	1400
Art. 45	AISI 316	V3	8,76	1400
Art. 45	AISI 316	V3	9,52	1400
Art. 45	AISI 316	V3	10,76	1400
Art. 45	AISI 316	V3	11,52	1400
Art. 45	AISI 316	V3	12,76	1400



Morsetti per Balaustre e Parapetti

Clamps for Balustrades and Parapets

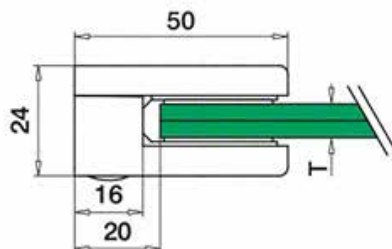
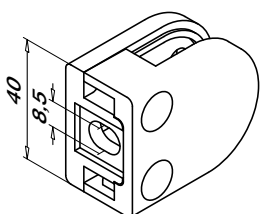


GFS
Innovate by Design

MORSETTO MEZZO TONDO Art. 40

in acciaio AISI 304 / 316

Dimensioni 40x50 mm
Per vetro da 6 a 8 mm



Box: 04 pz/pcs

HALF MOON CLAMP Art. 40

in stainless steel AISI 304 / 316

Dimensions 40x50 mm
For glass thickness from 6 up to 8 mm

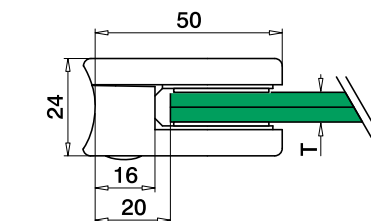
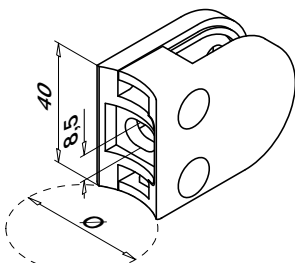
Codice/Code	Materiale/Material	Finiture/Finishes	Prezzo/Price
E04T40304	acciaio/stainless steel AISI 304	satinato/satin	€ 18,45 pz/pcs
E04T40316	acciaio/stainless steel AISI 316	satinato/satin	€ 20,50 pz/pcs

I prezzi si intendono guarnizioni escluse/The prices are gaskets excluded

MORSETTO MEZZO TONDO Art. 40 PER TUBO

in acciaio AISI 304 / 316

Dimensioni 40x50 mm
Per vetro da 6 a 8 mm



Box: 04 pz/pcs

HALF MOON CLAMP Art. 40 FOR TUBE

in stainless steel AISI 304 / 316

Dimensions 40x50 mm
For glass thickness from 6 up to 8 mm

Codice/Code	Materiale/Material	Finiture/Finishes	Ø Tubo/Tube	Prezzo/Price
E04T40304.R1	acciaio/stainless steel AISI 304	satinato/satin	Ø 33,7 mm	€ 18,45 pz/pcs
E04T40304.R2	acciaio/stainless steel AISI 304	satinato/satin	Ø 42,4 mm	€ 18,45 pz/pcs
E04T40316.R1	acciaio/stainless steel AISI 316	satinato/satin	Ø 33,7 mm	€ 20,50 pz/pcs
E04T40316.R2	acciaio/stainless steel AISI 316	satinato/satin	Ø 42,4 mm	€ 20,50 pz/pcs

I prezzi si intendono guarnizioni escluse/The prices are gaskets excluded

GUARNIZIONI PER MORSETTO Art. 40

GASKETS FOR CLAMP Art. 40



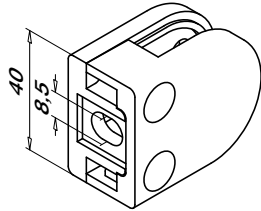
Box: 08 pz/pcs

Codice/Code	Spessore vetro/Glass thickness	Prezzo/Price
E04G40060	6 mm	€ 0,37 pz/pcs
E04G40067	6,76 mm	€ 0,37 pz/pcs
E04G40080	8 mm	€ 0,37 pz/pcs

MORSETTO MEZZO TONDO

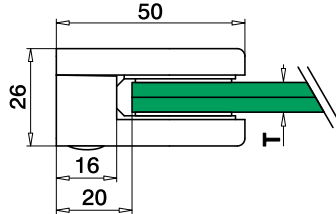
Art. 40 in Zama

Dimensioni 40x50 mm
Per vetro da 6 a 8 mm



HALF MOON CLAMP Art. 40 in Zamak

Dimensions 40x50 mm
For glass thickness from 6 up to 8 mm



Box: 04 pz/pcs

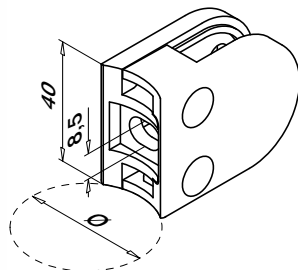
Codice/Code	Finiture/Finishes	Prezzo/Price
E04T40000	zama grezzo/raw zamak	€ 6,05 pz/pcs
E04T40016	cromo opaco/opaque chrome	€ 9,40 pz/pcs
E04T40017	cromo lucido/polished chrome	€ 9,40 pz/pcs
E04T40019	effetto acciaio inox/similar stainless steel	€ 9,40 pz/pcs
E04T40031	nero RAL 9005/RAL 9005 black	€ 8,15 pz/pcs
E04T40032	bianco RAL 9016/RAL 9016 white	€ 8,15 pz/pcs
E04T40036	grigio alluminio RAL 9006/RAL 9006 grey aluminium	€ 8,15 pz/pcs

I prezzi si intendono guarnizioni escluse/The prices are gaskets excluded

MORSETTO MEZZO TONDO

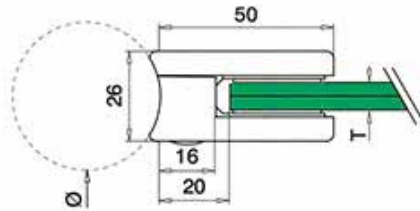
Art. 40 PER TUBO in Zama

Dimensioni 40x50 mm
Per vetro da 6 a 8 mm



HALF MOON CLAMP Art. 40 FOR TUBE

Dimensions 40x50 mm
For glass thickness from 6 up to 8 mm



Box: 04 pz/pcs

Codice/Code	Finiture/Finishes	Ø Tubo/Tube	Prezzo/Price
E04T40000.R1	zama grezzo/raw zamak	Ø 33,7 mm	€ 6,05 pz/pcs
E04T40000.R2	zama grezzo/raw zamak	Ø 42,4 mm	€ 6,05 pz/pcs
E04T40017.R1	cromo lucido/polished chrome	Ø 33,7 mm	€ 9,40 pz/pcs
E04T40017.R2	cromo lucido/polished chrome	Ø 42,4 mm	€ 9,40 pz/pcs
E04T40019.R1	effetto acciaio inox/similar stainless steel	Ø 33,7 mm	€ 9,40 pz/pcs
E04T40019.R2	effetto acciaio inox/similar stainless steel	Ø 42,4 mm	€ 9,40 pz/pcs

I prezzi si intendono guarnizioni escluse/The prices are gaskets excluded

GUARNIZIONI PER MORSETTO Art. 40

GASKETS FOR CLAMP Art. 40



Box: 08 pz/pcs

Codice/Code	Spessore vetro/Glass thickness	Prezzo/Price
E04G40060	6 mm	€ 0,37 pz/pcs
E04G40067	6,76 mm	€ 0,37 pz/pcs
E04G40080	8 mm	€ 0,37 pz/pcs

Morsetti per Balaustre e Parapetti Clamps for Balustrades and Parapets



GFS
Innovate by Design

MORSETTO QUADRATO Art. 41

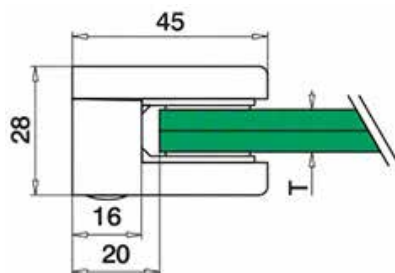
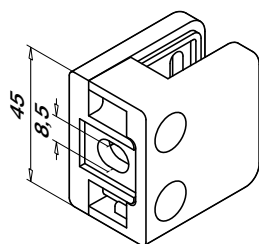
in acciaio AISI 304 / 316

Dimensioni 45x45 mm
Per vetro da 6 a 10 mm

SQUARED CLAMP Art. 41

in stainless steel AISI 304 / 316

Dimensions 45x45 mm
For glass thickness from 6 up to 10 mm



Box: 04 pz/pcs

Codice/Code	Materiale/Material	Finiture/Finishes	Prezzo/Price
E04T41304	acciaio/stainless steel AISI 304	satinato/satin	€ 20,25 pz/pcs
E04T41316	acciaio/stainless steel AISI 316	satinato/satin	€ 22,85 pz/pcs

I prezzi si intendono guarnizioni escluse/The prices are gaskets excluded

MORSETTO QUADRATO Art. 41 PER TUBO

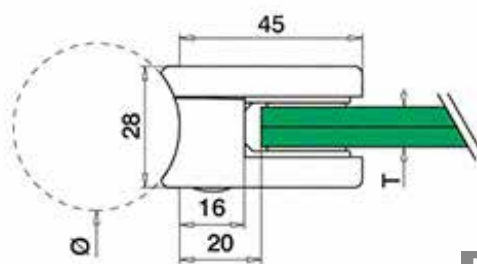
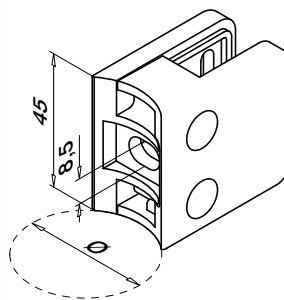
in acciaio AISI 304 / 316

Dimensioni 45x45 mm
Per vetro da 6 a 10 mm

SQUARED CLAMP Art. 41 FOR TUBE

in stainless steel AISI 304 / 316

Dimensions 45x45 mm
For glass thickness from 6 up to 10 mm



Box: 04 pz/pcs

Codice/Code	Materiale/Material	Finiture/Finishes	Tube/Tube	Prezzo/Price
E04T41304.R2	acciaio/stainless steel AISI 304	satinato/satin	Ø 42,4 mm	€ 20,25 pz/pcs
E04T41304.R3	acciaio/stainless steel AISI 304	satinato/satin	Ø 48,3 mm	€ 20,25 pz/pcs
E04T41316.R2	acciaio/stainless steel AISI 316	satinato/satin	Ø 42,4 mm	€ 22,85 pz/pcs
E04T41316.R3	acciaio/stainless steel AISI 316	satinato/satin	Ø 48,3 mm	€ 22,85 pz/pcs

I prezzi si intendono guarnizioni escluse/The prices are gaskets excluded

GUARNIZIONI PER MORSETTO Art. 41

GASKETS FOR CLAMP Art. 41



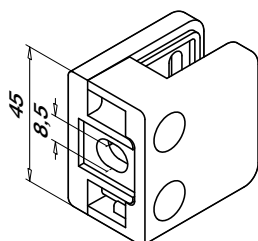
Box: 08 pz/pcs

Codice/Code	Spessore vetro/Glass thickness	Prezzo/Price
E04G41060	6 mm	€ 0,46 pz/pcs
E04G41067	6,76 mm	€ 0,46 pz/pcs
E04G41080	8 mm	€ 0,46 pz/pcs
E04G41087	8,76 mm	€ 0,46 pz/pcs
E04G41095	9,52 mm	€ 0,46 pz/pcs
E04G41100	10 mm	€ 0,46 pz/pcs

MORSETTO QUADRATO Art. 41

in Zama

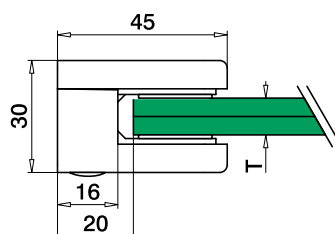
Dimensioni 45x45 mm
Per vetro da 6 a 10 mm



SQUARED CLAMP Art. 41

in Zamak

Dimensions 45x45 mm
For glass thickness from 6 up to 10 mm



Box: 04 pz/pcs

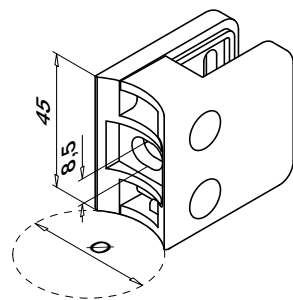
Codice/Code	Finiture/Finishes	Prezzo/Price
E04T41000	zama grezzo/raw zamak	€ 6,60 pz/pcs
E04T41016	cromo opaco/opaque chrome	€ 10,15 pz/pcs
E04T41017	cromo lucido/polished chrome	€ 10,15 pz/pcs
E04T41019	effetto acciaio inox/similar stainless steel	€ 10,15 pz/pcs
E04T41031	nero RAL 9005/RAL 9005 black	€ 9,25 pz/pcs
E04T41032	bianco RAL 9016/RAL 9016 white	€ 9,25 pz/pcs
E04T41036	grigio alluminio RAL 9006/RAL 9006 grey aluminium	€ 9,25 pz/pcs

I prezzi si intendono guarnizioni escluse/The prices are gaskets excluded

MORSETTO QUADRATO Art. 41 PER TUBO

in Zama

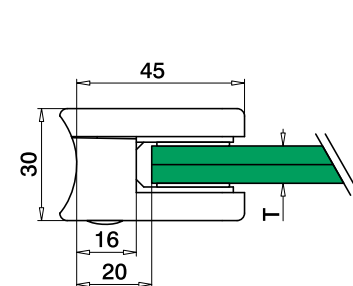
Dimensioni 45x45 mm
Per vetro da 6 a 10 mm



SQUARED CLAMP Art. 41 FOR TUBE

in Zamak

Dimensions 45x45 mm
For glass thickness from 6 up to 10 mm



Box: 04 pz/pcs

Codice/Code	Finiture/Finishes	Ø Tubo/Tube	Prezzo/Price
E04T41000.R2	zama grezzo/raw zamak	Ø 42,4 mm	€ 6,60 pz/pcs
E04T41017.R2	cromo lucido/polished chrome	Ø 42,4 mm	€ 10,15 pz/pcs
E04T41019.R2	effetto acciaio inox/similar stainless steel	Ø 42,4 mm	€ 10,15 pz/pcs

I prezzi si intendono guarnizioni escluse/The prices are gaskets excluded

GUARNIZIONI PER MORSETTO Art. 41



Box: 08 pz/pcs

GASKETS FOR CLAMP Art. 41

Codice/Code	Spessore vetro/Glass thickness	Prezzo/Price
E04G41060	6 mm	€ 0,46 pz/pcs
E04G41067	6,76 mm	€ 0,46 pz/pcs
E04G41080	8 mm	€ 0,46 pz/pcs
E04G41087	8,76 mm	€ 0,46 pz/pcs
E04G41095	9,52 mm	€ 0,46 pz/pcs
E04G41100	10 mm	€ 0,46 pz/pcs

Morsetti per Balaustre e Parapetti Clamps for Balustrades and Parapets



GFS
Innovate by Design

MORSETTO MEZZO TONDO Art. 42

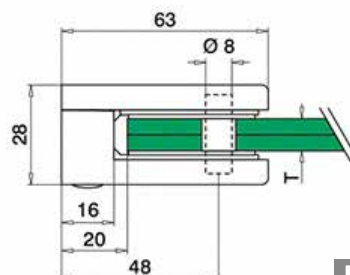
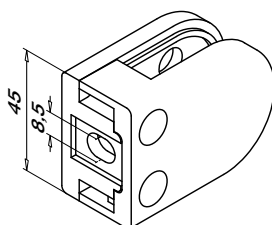
in acciaio AISI 304 / 316

Dimensioni 45x63 mm
Per vetro da 6 a 10 mm

HALF MOON CLAMP Art. 42

in stainless steel AISI 304 / 316

Dimensions 45x63 mm
For glass thickness from 6 up to 10 mm



Box: 04 pz/pcs

Codice/Code	Materiale/Material	Finiture/Finishes	Prezzo/Price
E04T42304	acciaio/stainless steel AISI 304	satinato/satin	€ 20,05 pz/pcs
E04T42316	acciaio/stainless steel AISI 316	satinato/satin	€ 22,70 pz/pcs
E04T42304.L	acciaio/stainless steel AISI 304	lucido/polished	€ 24,30 pz/pcs
E04T42316.L	acciaio/stainless steel AISI 316	lucido/polished	€ 27,45 pz/pcs

I prezzi si intendono guarnizioni escluse/The prices are gaskets excluded

MORSETTO MEZZO TONDO Art. 42 PER TUBO

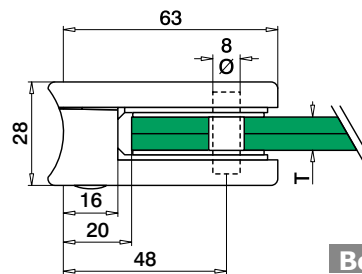
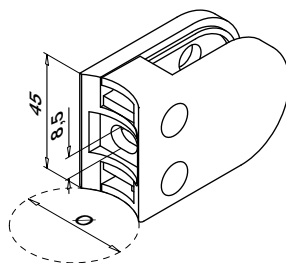
in acciaio AISI 304 / 316

Dimensioni 45x63 mm
Per vetro da 6 a 10 mm

HALF MOON CLAMP Art. 42 FOR TUBE

in stainless steel AISI 304 / 316

Dimensions 45x63 mm
For glass thickness from 6 up to 10 mm



Box: 04 pz/pcs

Codice/Code	Materiale/Material	Finiture/Finish	Ø Tubo/Tube	Prezzo/Price
E04T42304.R2	acciaio/stainless steel AISI 304	satinato/satin	Ø 42,4 mm	€ 20,05 pz/pcs
E04T42304.R3	acciaio/stainless steel AISI 304	satinato/satin	Ø 48,3 mm	€ 20,05 pz/pcs
E04T42316.R2	acciaio/stainless steel AISI 316	satinato/satin	Ø 42,4 mm	€ 22,70 pz/pcs
E04T42316.R3	acciaio/stainless steel AISI 316	satinato/satin	Ø 48,3 mm	€ 22,70 pz/pcs
E04T42304.LR2	acciaio/stainless steel AISI 304	lucido/polished	Ø 42,4 mm	€ 24,30 pz/pcs
E04T42304.LR3	acciaio/stainless steel AISI 304	lucido/polished	Ø 48,3 mm	€ 24,30 pz/pcs
E04T42316.LR2	acciaio/stainless steel AISI 316	lucido/polished	Ø 42,4 mm	€ 27,45 pz/pcs
E04T42316.LR3	acciaio/stainless steel AISI 316	lucido/polished	Ø 48,3 mm	€ 27,45 pz/pcs

I prezzi si intendono guarnizioni escluse/The prices are gaskets excluded

GUARNIZIONI PER MORSETTO Art. 42

GASKETS FOR CLAMP Art. 42



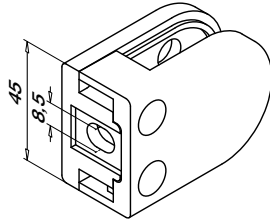
Box: 08 pz/pcs

Codice/Code	Spessore vetro/Glass thickness	Prezzo/Price
E04G42060	6 mm	€ 0,55 pz/pcs
E04G42067	6,76 mm	€ 0,55 pz/pcs
E04G42080	8 mm	€ 0,55 pz/pcs
E04G42083	8,38 mm	€ 0,55 pz/pcs
E04G42087	8,76 mm	€ 0,55 pz/pcs
E04G42095	9,52 mm	€ 0,55 pz/pcs
E04G42100	10 mm	€ 0,55 pz/pcs

MORSETTO MEZZO TONDO Art. 42

in Zama

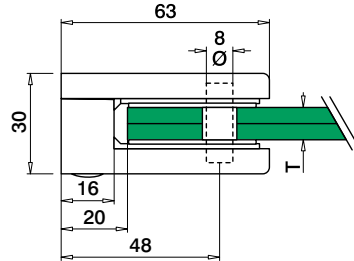
Dimensioni 45x63 mm
Per vetro da 6 a 10 mm



HALF MOON CLAMP Art. 42

in Zamak

Dimensioni 45x63 mm
For glass thickness from 6 up to 10 mm



Box: 04 pz/pcs

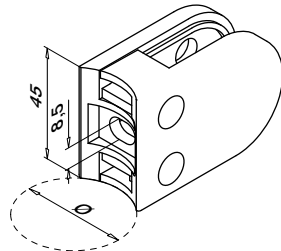
Codice/Code	Finiture/Finishes	Prezzo/Price
E04T42000	zama grezzo/raw zamak	€ 8,35 pz/pcs
E04T42016	cromo opaco/opaque chrome	€ 13,30 pz/pcs
E04T42017	cromo lucido/polished chrome	€ 13,30 pz/pcs
E04T42019	effetto acciaio inox/similar stainless steel	€ 13,30 pz/pcs
E04T42031	nero RAL 9005/RAL 9005 black	€ 10,70 pz/pcs
E04T42032	bianco RAL 9016/white RAL 9016	€ 10,70 pz/pcs
E04T42036	grigio alluminio RAL 9006/RAL 9006 grey aluminium	€ 10,70 pz/pcs

I prezzi si intendono guarnizioni escluse/The prices are gaskets excluded

MORSETTO MEZZO TONDO Art. 42 PER TUBO

in Zama

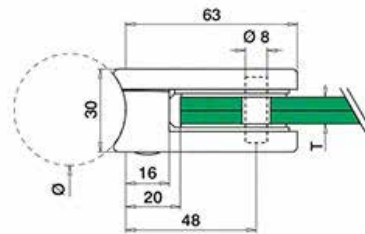
Dimensioni 45x63 mm
Per vetro da 6 a 10 mm



HALF MOON CLAMP Art. 42 FOR TUBE

in Zamak

Dimensioni 45x63 mm
For glass thickness from 6 up to 10 mm



Box: 04 pz/pcs

Codice/Code	Finiture/Finishes	Ø Tubo/Tube	Prezzo/Price
E04T42000.R2	zama grezzo/raw zamak	Ø 42,4 mm	€ 8,35 pz/pcs
E04T42000.R3	zama grezzo/raw zamak	Ø 48,3 mm	€ 8,35 pz/pcs
E04T42017.R2	cromo lucido/polished chrome	Ø 42,4 mm	€ 13,30 pz/pcs
E04T42017.R3	cromo lucido/polished chrome	Ø 48,3 mm	€ 13,30 pz/pcs
E04T42019.R2	effetto acciaio inox/similar stainless steel	Ø 42,4 mm	€ 13,30 pz/pcs
E04T42019.R3	effetto acciaio inox/similar stainless steel	Ø 48,3 mm	€ 13,30 pz/pcs

I prezzi si intendono guarnizioni escluse/The prices are gaskets excluded

GUARNIZIONI PER MORSETTO Art. 42



Box: 08 pz/pcs

GASKETS FOR CLAMP Art. 42

Codice/Code	Spessore vetro/Glass thickness	Prezzo/Price
E04G42060	6 mm	€ 0,55 pz/pcs
E04G42067	6,76 mm	€ 0,55 pz/pcs
E04G42080	8 mm	€ 0,55 pz/pcs
E04G42083	8,38 mm	€ 0,55 pz/pcs
E04G42087	8,76 mm	€ 0,55 pz/pcs
E04G42095	9,52 mm	€ 0,55 pz/pcs
E04G42100	10 mm	€ 0,55 pz/pcs

Morsetti per Balaustre e Parapetti Clamps for Balustrades and Parapets



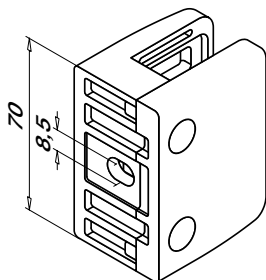
GFS
Innovate by Design

MORSETTO RETTANGOLARE Art. 43

in acciaio AISI 304 / 316

Dimensioni 70x55 mm

Per vetro da 9,52 a 17,52 mm

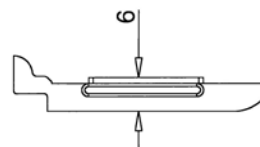
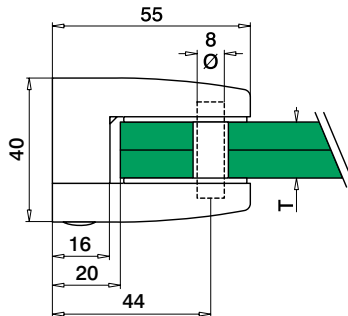


RECTANGULAR CLAMP Art. 43

in stainless steel AISI 304 / 316

Dimensions 70x55 mm

For glass thickness from 9,52 up to 17,52 mm



Box: 04 pz/pcs

Codice/Code	Materiale/Material	Finiture/Finishes	Prezzo/Price
E04T43304	acciaio/stainless steel AISI 304	satinato/satin	€ 47,70 pz/pcs
E04T43316	acciaio/stainless steel AISI 316	satinato/satin	€ 54,75 pz/pcs

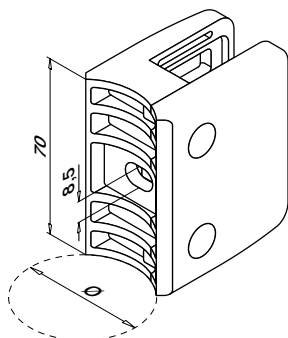
I prezzi si intendono guarnizioni escluse/The prices are gaskets excluded

MORSETTO RETTANGOLARE Art. 43 PER TUBO

in acciaio AISI 304 / 316

Dimensioni 70x55 mm

Per vetro da 9,52 a 17,52 mm

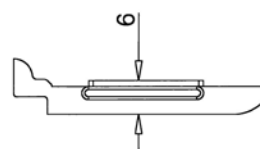
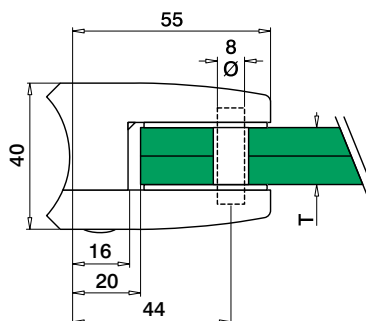


RECTANGULAR CLAMP Art. 43 FOR TUBE

in stainless steel AISI 304 / 316

Dimensions 70x55 mm

For glass thickness from 9,52 up to 17,52 mm



Box: 04 pz/pcs

Codice/Code	Materiale/Material	Finiture/Finishes	Ø Tubo/Tube	Prezzo/Price
E04T43304.R3	acciaio/stainless steel AISI 304	satinato/satin	Ø 48,3 mm	€ 47,70 pz/pcs
E04T43316.R3	acciaio/stainless steel AISI 316	satinato/satin	Ø 48,3 mm	€ 54,75 pz/pcs

I prezzi si intendono guarnizioni escluse/The prices are gaskets excluded

GUARNIZIONI PER MORSETTO Art. 43



Box: 08 pz/pcs

GASKETS FOR CLAMP Art. 43

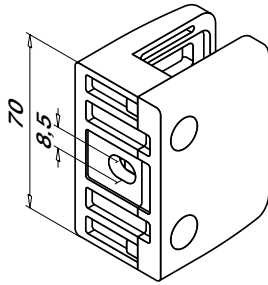
Codice/Code	Spessore vetro/Glass thickness	Prezzo/Price
E04G43095	9,52 mm	€ 1,18 pz/pcs
E04G43115	11,52 mm	€ 1,18 pz/pcs
E04G43120	12 mm	€ 1,18 pz/pcs
E04G43127	12,76 mm	€ 1,18 pz/pcs
E04G43135	13,52 mm	€ 1,18 pz/pcs
E04G43150	15 mm	€ 1,18 pz/pcs
E04G43167	16,76 mm	€ 1,18 pz/pcs
E04G43175	17,52 mm	€ 1,18 pz/pcs

MORSETTO RETTANGOLARE Art. 43

in Zama

Dimensioni 70x55 mm

Per vetro da 9,52 a 17,52 mm

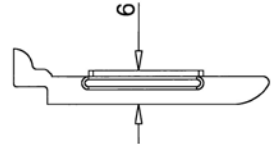
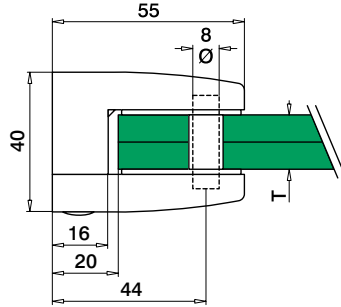


RECTANGULAR CLAMP Art. 43

in Zamak

Dimensions 70x55 mm

For glass thickness from 11,52 up to 17,52 mm



Box: 04 pz/pcs

Codice/Code	Finiture/Finishes	Prezzo/Price
E04T43000	zama grezzo/raw zamak	€ 13,55 pz/pcs
E04T43019	effetto acciaio inox/similar stainless steel	€ 26,95 pz/pcs

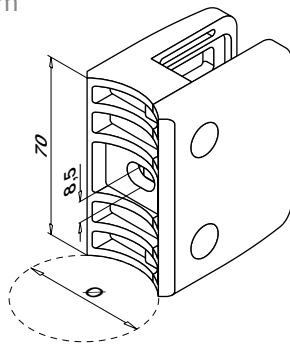
I prezzi si intendono guarnizioni escluse/The prices are gaskets excluded

MORSETTO RETTANGOLARE Art. 43 PER TUBO

in Zama

Dimensioni 70x55 mm

Per vetro da 9,52 a 17,52 mm

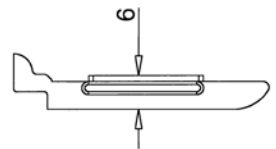
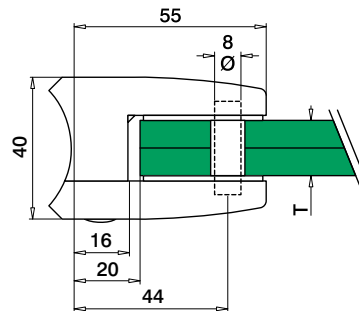


RECTANGULAR CLAMP Art. 43 FOR TUBE

in Zamak

Dimensions 70x55 mm

For glass thickness from 11,52 up to 17,52 mm



Box: 04 pz/pcs

Codice/Code	Finiture/Finishes	Ø Tubo/Tube	Prezzo/Price
E04T43000.R3	zama grezzo/raw zamak	Ø 48,3 mm	€ 13,55 pz/pcs

I prezzi si intendono guarnizioni escluse/The prices are gaskets excluded

GUARNIZIONI PER MORSETTO Art. 43



Box: 08 pz/pcs

GASKETS FOR CLAMP Art. 43

Codice/Code	Spessore vetro/Glass thickness	Prezzo/Price
E04G43095	9,52 mm	€ 1,18 pz/pcs
E04G43115	11,52 mm	€ 1,18 pz/pcs
E04G43120	12 mm	€ 1,18 pz/pcs
E04G43127	12,76 mm	€ 1,18 pz/pcs
E04G43135	13,52 mm	€ 1,18 pz/pcs
E04G43150	15 mm	€ 1,18 pz/pcs
E04G43167	16,76 mm	€ 1,18 pz/pcs
E04G43175	17,52 mm	€ 1,18 pz/pcs

Morsetti per Balaustre e Parapetti Clamps for Balustrades and Parapets



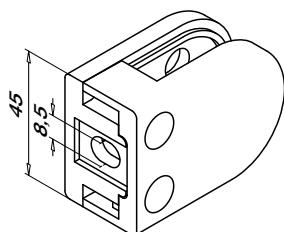
GFS
Innovate by Design

MORSETTO MEZZO TONDO Art. 45

in acciaio AISI 304 / 316

Dimensioni 45x63 mm

Per vetro da 10,76 a 12,76 mm

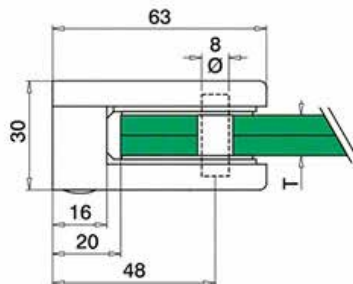


HALF MOON CLAMP Art. 45

in stainless steel AISI 304 / 316

Dimensions 45x63 mm

For glass thickness from 8 up to 12,76 mm



Box: 04 pz/pcs

Codice/Code	Materiale/Material	Finiture/Finishes	Prezzo/Price
E04T45304	acciaio/stainless steel AISI 304	satinato/satin	€ 20,95 pz/pcs
E04T45316	acciaio/stainless steel AISI 316	satinato/satin	€ 25,55 pz/pcs

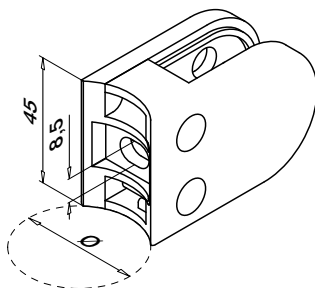
I prezzi si intendono guarnizioni escluse/The prices are gaskets excluded

MORSETTO MEZZO TONDO Art. 45 PER TUBO

in acciaio AISI 304 / 316

Dimensioni 45x63 mm

Per vetro da 10,76 a 12,76 mm

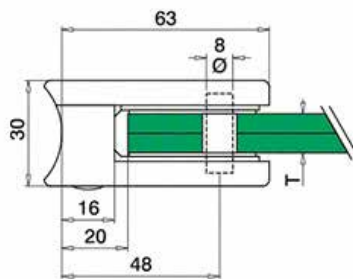


HALF MOON CLAMP Art. 45 FOR TUBE

in stainless steel AISI 304 / 316

Dimensions 45x63 mm

For glass thickness from 10,76 up to 12,76 mm



Box: 04 pz/pcs

Codice/Code	Materiale/Material	Finiture/Finishes	Ø Tubo/Tube	Prezzo/Price
E04T45304.R2	acciaio/stainless steel AISI 304	satinato/satin	Ø 42,4 mm	€ 20,95 pz/pcs
E04T45304.R3	acciaio/stainless steel AISI 304	satinato/satin	Ø 48,3 mm	€ 20,95 pz/pcs
E04T45316.R2	acciaio/stainless steel AISI 316	satinato/satin	Ø 42,4 mm	€ 25,55 pz/pcs
E04T45316.R3	acciaio/stainless steel AISI 316	satinato/satin	Ø 48,3 mm	€ 25,55 pz/pcs

I prezzi si intendono guarnizioni escluse/The prices are gaskets excluded

GUARNIZIONI PER MORSETTO Art. 45

GASKETS FOR CLAMP Art. 45



Codice/Code	Spessore vetro/Glass thickness	Prezzo/Price
E04G45107	10,76 mm	€ 0,55 pz/pcs
E04G45115	11,52 mm	€ 0,55 pz/pcs
E04G45120	12 mm	€ 0,55 pz/pcs
E04G45127	12,76 mm	€ 0,55 pz/pcs

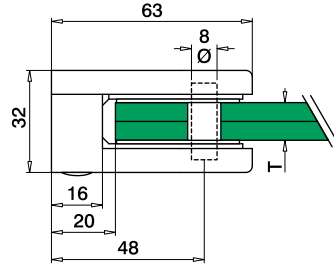
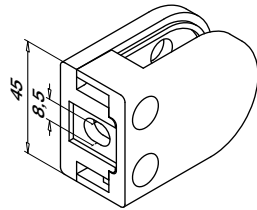
Box: 08 pz/pcs

MORSETTO MEZZO TONDO Art. 45 in Zama

Dimensioni 45x63 mm
Per vetro da 10,76 a 12,76 mm

HALF MOON CLAMP Art. 45 in Zamak

Dimensions 45x63 mm
For glass thickness from 8 up to 12,76 mm



Box: 04 pz/pcs

Codice/Code	Finiture/Finishes	Prezzo/Price
E04T45000	zama grezzo/raw zamak	€ 8,35 pz/pcs
E04T45019	effetto acciaio inox/similar stainless steel	€ 13,30 pz/pcs
E04T45036	grigio alluminio RAL 9006/RAL 9006 grey aluminium	€ 10,70 pz/pcs

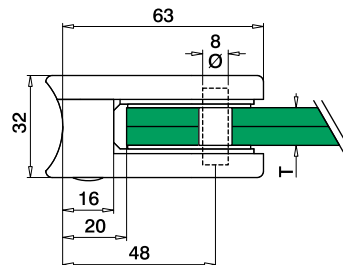
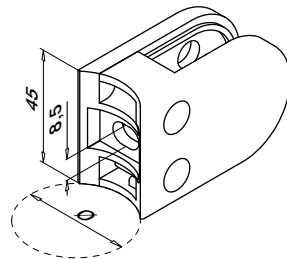
I prezzi si intendono guarnizioni escluse/The prices are gaskets excludud

MORSETTO MEZZO TONDO Art. 45 PER TUBO

in Zama
Dimensioni 45x63 mm
Per vetro da 10,76 a 12,76 mm

HALF MOON CLAMP Art. 45 FOR TUBE

in Zamak
Dimensions 45x63 mm
For glass thickness from 10,76 up to 12,76 mm



Box: 04 pz/pcs

Codice/Code	Finiture/Finishes	Ø Tubo/Tube	Prezzo/Price
E04T45000.R2	zama grezzo/raw zamak	Ø 42,4 mm	€ 8,35 pz/pcs
E04T45000.R3	zama grezzo/raw zamak	Ø 48,3 mm	€ 8,35 pz/pcs
E04T45019.R2	effetto acciaio inox/similar stainless steel	Ø 42,4 mm	€ 13,30 pz/pcs
E04T45019.R3	effetto acciaio inox/similar stainless steel	Ø 48,3 mm	€ 13,30 pz/pcs

I prezzi si intendono guarnizioni escluse/The prices are gaskets excludud

GUARNIZIONI PER MORSETTO Art. 45

GASKETS FOR CLAMP Art. 45



Codice/Code	Spessore vetro/Glass thickness	Prezzo/Price
E04G45107	10,76 mm	€ 0,55 pz/pcs
E04G45115	11,52 mm	€ 0,55 pz/pcs
E04G45120	12 mm	€ 0,55 pz/pcs
E04G45127	12,76 mm	€ 0,55 pz/pcs

Box: 08 pz/pcs

Morsetti per Balaustre e Parapetti Clamps for Balustrades and Parapets

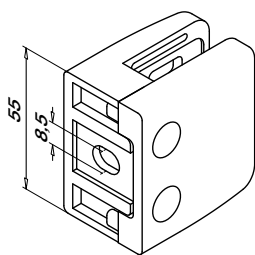


GFS
Innovate by Design

MORSETTO QUADRATO Art. 46

in acciaio AISI 304 / 316

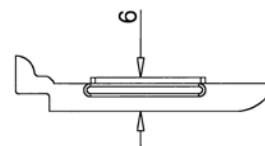
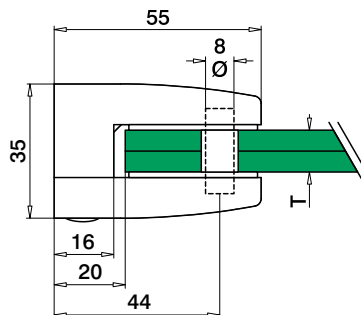
Dimensioni 55x55 mm
Per vetro da 8 a 12,76 mm



SQUARED CLAMP Art. 46

in stainless steel AISI 304 / 316

Dimensions 55x55 mm
For glass thickness from 8 up to 12,76 mm



Box: 04 pz/pcs

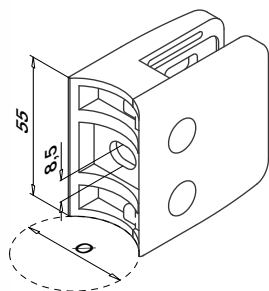
Codice/Code	Materiale/Material	Finiture/Finishes	Prezzo/Price
E04T46304	acciaio/stainless steel AISI 304	satinato/satin	€ 29,55 pz/pcs
E04T46316	acciaio/stainless steel AISI 316	satinato/satin	€ 34,35 pz/pcs

I prezzi si intendono guarnizioni escluse/The prices are gaskets excluded

MORSETTO QUADRATO Art. 46 PER TUBO

in acciaio AISI 304 / 316

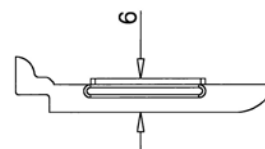
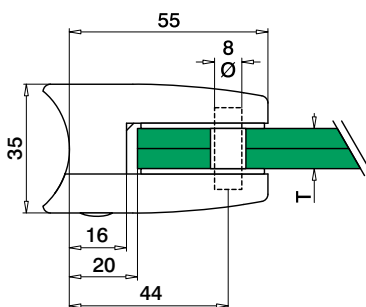
Dimensioni 55x55 mm
Per vetro da 8 a 12,76 mm



SQUARED CLAMP Art. 46 FOR TUBE

in stainless steel AISI 304 / 316

Dimensions 55x55 mm
For glass thickness from 8 up to 12,76 mm



Box: 04 pz/pcs

Codice/Code	Materiale/Material	Finiture/Finishes	Ø Tubo/Tube	Prezzo/Price
E04T46304.R2	acciaio/stainless steel AISI 304	satinato/satin	Ø 42,4 mm*	€ 29,55 pz/pcs
E04T46304.R3	acciaio/stainless steel AISI 304	satinato/satin	Ø 48,3 mm	€ 29,55 pz/pcs
E04T46316.R2	acciaio/stainless steel AISI 316	satinato/satin	Ø 42,4 mm*	€ 34,35 pz/pcs
E04T46316.R3	acciaio/stainless steel AISI 316	satinato/satin	Ø 48,3 mm	€ 34,35 pz/pcs

* non utilizzabili con angoli inferiori a 105°/not to be used with angles less than 105°

I prezzi si intendono guarnizioni escluse/The prices are gaskets excluded

GUARNIZIONI PER MORSETTO Art. 46

GASKETS FOR CLAMP Art. 46



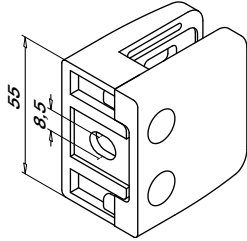
Box: 08 pz/pcs

Codice/Code	Spessore vetro/Glass thickness	Prezzo/Price
E04G46080	8 mm	€ 0,91 pz/pcs
E04G46087	8,76 mm	€ 0,91 pz/pcs
E04G46095	9,52 mm	€ 0,91 pz/pcs
E04G46100	10 mm	€ 0,91 pz/pcs
E04G46107	10,76 mm	€ 0,91 pz/pcs
E04G46115	11,52 mm	€ 0,91 pz/pcs
E04G46120	12 mm	€ 0,91 pz/pcs
E04G46127	12,76 mm	€ 0,91 pz/pcs

MORSETTO QUADRATO Art. 46

in Zama

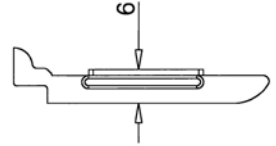
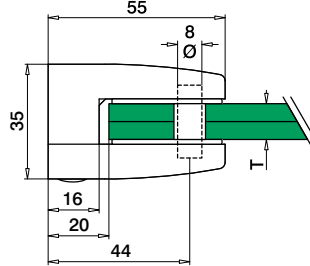
Dimensioni 55x55 mm
Per vetro da 8 a 12,76 mm



SQUARED CLAMP Art. 46

in Zamak

Dimensions 55x55 mm
For glass thickness from 8 up to 12,76 mm



Box: 04 pz/pcs

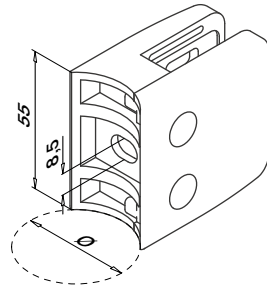
Codice/Code	Finiture/Finishes	Prezzo/Price
E04T46000	zama grezzo/raw zamak	€ 9,95 pz/pcs
E04T46016	cromo opaco/opaque chrome	€ 16,00 pz/pcs
E04T46019	effetto acciaio inox/similar stainless steel	€ 16,00 pz/pcs
E04T46031	nero RAL 9005/RAL 9005 black	€ 12,30 pz/pcs
E04T46032	bianco RAL 9016/RAL 9016 white	€ 12,30 pz/pcs
E04T46036	grigio alluminio RAL 9006/RAL 9006 grey aluminium	€ 12,30 pz/pcs

I prezzi si intendono guarnizioni escluse/The prices are gaskets excluded

MORSETTO QUADRATO Art. 46 PER TUBO

in Zama

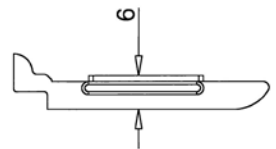
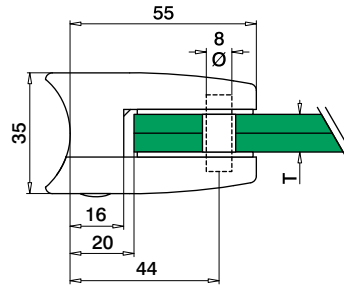
Dimensioni 55x55 mm
Per vetro da 8 a 12,76 mm



SQUARED CLAMP Art. 46 FOR TUBE

in Zamak

Dimensions 55x55 mm
For glass thickness from 8 up to 12,76 mm



Box: 04 pz/pcs

Codice/Code	Finiture/Finishes	Ø Tubo/Tube	Prezzo/Price
E04T46000.R2	zama grezzo/raw zamak	Ø 42,4 mm*	€ 9,95 pz/pcs
E04T46000.R3	zama grezzo/raw zamak	Ø 48,3 mm	€ 9,95 pz/pcs
E04T46019.R2	effetto acciaio inox/similar stainless steel	Ø 42,4 mm*	€ 16,00 pz/pcs
E04T46019.R3	effetto acciaio inox/similar stainless steel	Ø 48,3 mm	€ 16,00 pz/pcs

* non utilizzabili con angoli inferiori a 105°/not to be used with angles less than 105°

I prezzi si intendono guarnizioni escluse/The prices are gaskets excluded

GUARNIZIONI PER MORSETTO Art. 46

GASKETS FOR CLAMP Art. 46



Box: 08 pz/pcs

Codice/Code	Spessore vetro/Glass thickness	Prezzo/Price
E04G46080	8 mm	€ 0,91 pz/pcs
E04G46087	8,76 mm	€ 0,91 pz/pcs
E04G46095	9,52 mm	€ 0,91 pz/pcs
E04G46100	10 mm	€ 0,91 pz/pcs
E04G46107	10,76 mm	€ 0,91 pz/pcs
E04G46115	11,52 mm	€ 0,91 pz/pcs
E04G46120	12 mm	€ 0,91 pz/pcs
E04G46127	12,76 mm	€ 0,91 pz/pcs

Morsetti per Balaustre e Parapetti Clamps for Balustrades and Parapets



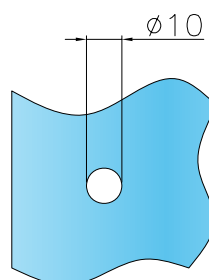
GFS
Innovate by Design

SPINE DI SICUREZZA PER MORSETTI



SECURITY BOLTS FOR CLAMPS

Foro sul vetro/Glass hole



Box: 04 pz/pcs

Codice/Code	Descrizione/Description	Prezzo/Price
E04G00042	spina di sicurezza per morsetto Art.42/security bolt for clamp Art.42	€ 2,75 pz/pcs
E04G04344	spina di sicurezza per morsetto Art.43/security bolt for clamp Art.43	€ 2,75 pz/pcs
E04G04546	spina di sicurezza per morsetto Art.45-46/security bolt for clamp Art.44-46	€ 2,75 pz/pcs

FINITURE ZAMA

ZAMAK FINISHES



Codice/Code E04T..00
zama grezza
raw zamak



Codice/Code E04T..16
cromo opaco
opaque chrome



Codice/Code E04T..17
cromo lucido
polished chrome



Codice/Code E04T..19
effetto acciaio inox
similar stainless steel



Codice/Code E04T..31
nero RAL 9005
RAL 9005 black



Codice/Code E04T..32
bianco RAL 9016
RAL 9016 white



Codice/Code E04T..36
grigio alluminio RAL 9006
RAL 9006 grey aluminium

GFS
Innovate by Design



Morsetti di connessione Junction clamps



NEWS 2014

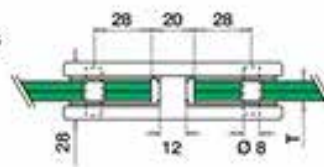
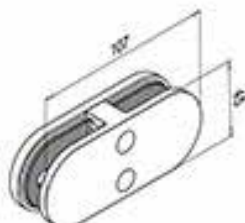
GFS
Innovate by Design

MORSETTO DI CONNESSIONE VETRO-VETRO A 180°

in acciaio AISI 304 / 316
Per vetro da 6 a 10 mm

JUNCTION CLAMP GLASS-TO-GLASS 180°

in stainless steel AISI 304 / 316
For glass thickness from 6 up to 10 mm



Box: 02 pz/pcs

Codice/Code	Materiale/Material	Finiture/Finishes	Prezzo/Price
E04T18304	acciaio/stainless steel AISI 304	satinato/satin	€ 31,90 pz/pcs
E04T18316	acciaio/stainless steel AISI 316	satinato/satin	€ 38,65 pz/pcs

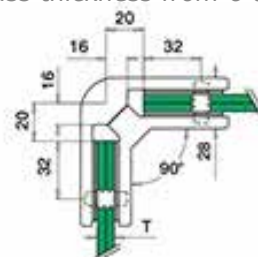
I prezzi si intendono guarnizioni escluse/The prices are gaskets excluded

MORSETTO DI CONNESSIONE VETRO-VETRO A 90°

in acciaio AISI 304 / 316
Per vetro da 6 a 10 mm

JUNCTION CLAMP GLASS-TO-GLASS 90°

in stainless steel AISI 304 / 316
For glass thickness from 6 up to 10 mm



Box: 02 pz/pcs

Codice/Code	Materiale/Material	Finiture/Finishes	Prezzo/Price
E04T09304	acciaio/stainless steel AISI 304	satinato/satin	€ 40,85 pz/pcs
E04T09316	acciaio/stainless steel AISI 316	satinato/satin	€ 49,40 pz/pcs

I prezzi si intendono guarnizioni escluse/The prices are gaskets excluded

GUARNIZIONI PER MORSETTO Art. 42

GASKETS FOR CLAMP Art. 42



Codice/Code	Spessore vetro/Glass thickness	Prezzo/Price
E04G42060	6 mm	€ 0,55 pz/pcs
E04G42067	6,76 mm	€ 0,55 pz/pcs
E04G42080	8 mm	€ 0,55 pz/pcs
E04G42083	8,38 mm	€ 0,55 pz/pcs
E04G42087	8,76 mm	€ 0,55 pz/pcs
E04G42095	9,52 mm	€ 0,55 pz/pcs
E04G42100	10 mm	€ 0,55 pz/pcs



Morsetti per Box doccia Clamps for Showers

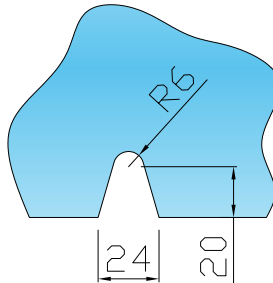


GFS
Innovate by Design



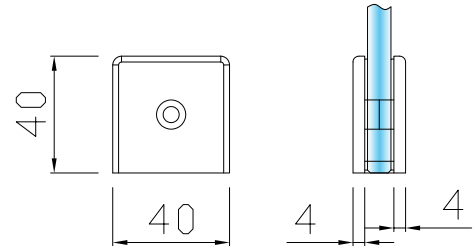
Box: 01 pz/pcs

Lavorazione sul vetro
Processing on the glass



MORSETTO MM 40X40
Ottone
Spessore vetro mm 6-8-10

CLAMP 40X40 MM
Brass
Glass thickness 6-8-10 mm

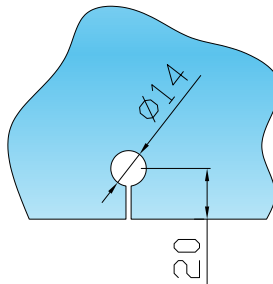


Codice/Code	Finiture/Finishes	Prezzo/Price
E04M01715	cromo lucido/polished chrome	€ 19,35 pz/pcs
E04M01716	cromo opaco/opaque chrome	€ 19,35 pz/pcs
E04M01720	simile acciaio inox/similar stainless steel	€ 21,66 pz/pcs
E04M01713	oro lucido/polished gold	€ 24,69 pz/pcs
E04M01711	oro satinato/satin gold	€ 24,69 pz/pcs



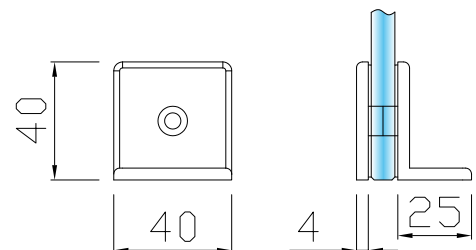
Box: 01 pz/pcs

Lavorazione sul vetro
Processing on the glass



**MORSETTO A "L" MM 40X40
VETRO-MURO**
Ottone
Spessore vetro mm 6-8-10

**"L" SHAPED GLASS-TO-WALL
CLAMP 40X40 MM**
Brass
Glass thickness 6-8-10 mm

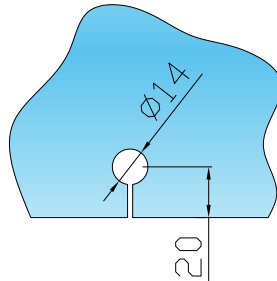


Codice/Code	Finiture/Finishes	Prezzo/Price
E04M04715	cromo lucido/polished chrome	€ 22,24 pz/pcs
E04M04716	cromo opaco/opaque chrome	€ 22,24 pz/pcs
E04M04720	simile acciaio inox/similar stainless steel	€ 24,90 pz/pcs
E04M04713	oro lucido/polished gold	€ 28,39 pz/pcs
E04M04711	oro satinato/satin gold	€ 28,39 pz/pcs



Box: 01 pz/pcs

Lavorazione sul vetro
Processing on the glass

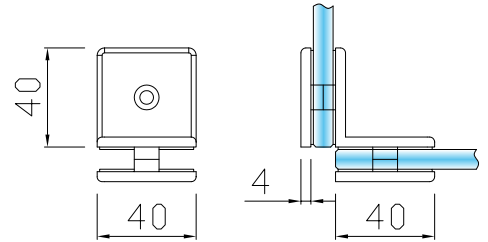


**MORSETTO A "L" MM 40X40
VETRO-VETRO**

Ottone
Spessore vetro mm 6-8-10

**"L" SHAPED GLASS-TO-GLASS
CLAMP 40X40 MM**

Brass
Glass thickness 6-8-10 mm

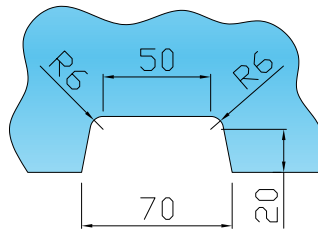


Codice/Code	Finiture/Finishes	Prezzo/Price
E04M06715	cromo lucido/polished chrome	€ 25,02 pz/pcs
E04M06716	cromo opaco/opaque chrome	€ 25,02 pz/pcs
E04M06720	simile acciaio inox/similar stainless steel	€ 28,86 pz/pcs
E04M06713	oro lucido/polished gold	€ 31,43 pz/pcs
E04M06711	oro satinato/satin gold	€ 31,43 pz/pcs



Box: 01 pz/pcs

Lavorazione sul vetro
Processing on the glass

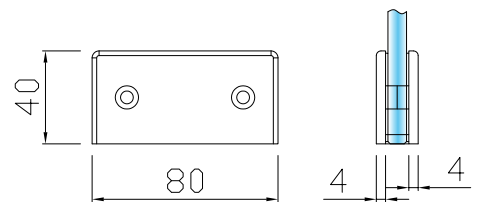


MORSETTO MM 40X80

Ottone
Spessore vetro mm 6-8-10

CLAMP 40X80 MM

Brass
Glass thickness 6-8-10 mm



Codice/Code	Finiture/Finishes	Prezzo/Price
E04M03715	cromo lucido/polished chrome	€ 24,08 pz/pcs
E04M03716	cromo opaco/opaque chrome	€ 24,08 pz/pcs
E04M03720	simile acciaio inox/similar stainless steel	€ 28,05 pz/pcs
E04M03713	oro lucido/polished gold	€ 29,75 pz/pcs
E04M03711	oro satinato/satin gold	€ 29,75 pz/pcs

Morsetti per Box doccia

Clamps for Showers

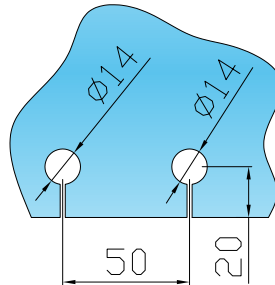


GFS
Innovate by Design



Box: 01 pz/pcs

Lavorazione sul vetro
Processing on the glass

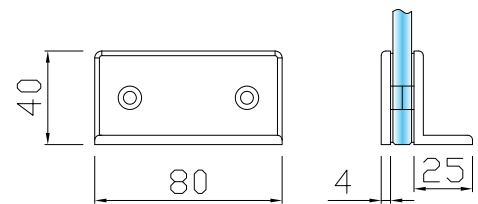


MORSETTO A "L" MM 40X80 VETRO-MURO

Ottone
Spessore vetro mm 6-8-10

"L" SHAPED GLASS-TO-WALL CLAMP 40X80 MM

Brass
Glass thickness 6-8-10 mm

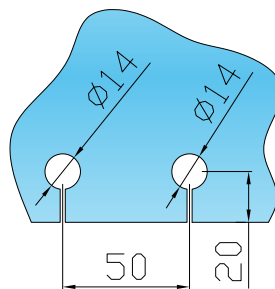


Codice/Code	Finiture/Finishes	Prezzo/Price
E04M05715	cromo lucido/polished chrome	€ 27,68 pz/pcs
E04M05716	cromo opaco/opaque chrome	€ 27,68 pz/pcs
E04M05720	simile acciaio inox/similar stainless steel	€ 32,25 pz/pcs
E04M05713	oro lucido/polished gold	€ 34,20 pz/pcs
E04M05711	oro satinato/satin gold	€ 34,20 pz/pcs



Box: 01 pz/pcs

Lavorazione sul vetro
Processing on the glass

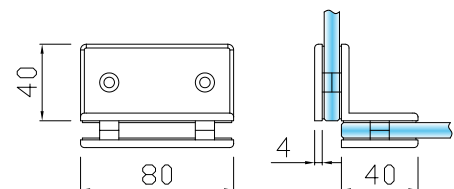


MORSETTO A "L" MM 40X80 VETRO-VETRO

Ottone
Spessore vetro mm 6-8-10

"L" SHAPED GLASS-TO-GLASS CLAMP 40X80 MM

Brass
Glass thickness 6-8-10 mm

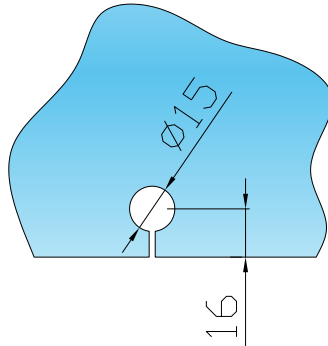


Codice/Code	Finiture/Finishes	Prezzo/Price
E04M07715	cromo lucido/polished chrome	€ 35,03 pz/pcs
E04M07716	cromo opaco/opaque chrome	€ 35,03 pz/pcs
E04M07720	simile acciaio inox/similar stainless steel	€ 39,60 pz/pcs
E04M07713	oro lucido/polished gold	€ 41,55 pz/pcs
E04M07711	oro satinato/satin gold	€ 41,55 pz/pcs



Box: 01 pz/pcs

Lavorazione sul vetro
Processing on the glass

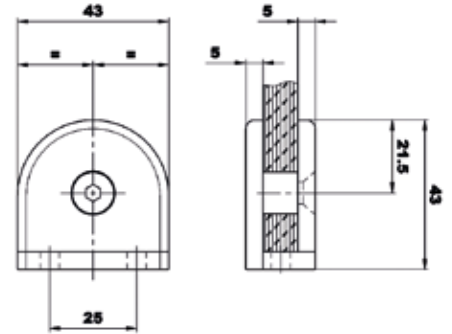


**MORSETTO MEZZOTONDO
IN OTTONE**

Spessore vetro mm 6-8-10-12

**HALF MOON CLAMP
IN BRASS**

Glass thickness mm 6-8-10-12

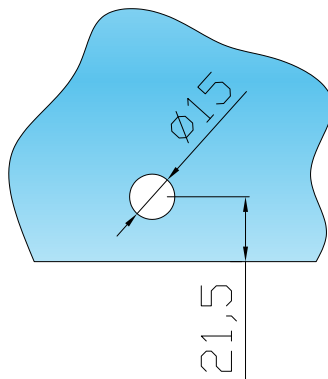


Codice / Code	Finiture / Finishes	Prezzo / Price
E04R01715	cromo lucido/polished chrome	€ 17,50 pz/pcs
E04R01716	cromo opaco/opaque chrome	€ 17,50 pz/pcs
E04R01713	oro lucido/polished gold	€ 19,79 pz/pcs



Box: 01 pz/pcs

Lavorazione sul vetro
Processing on the glass

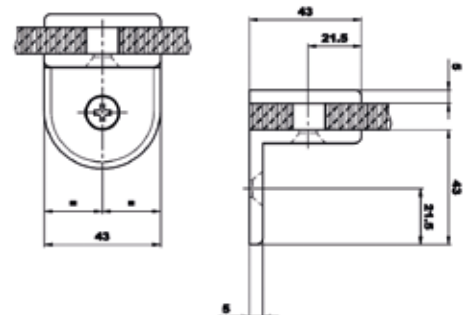


**MORSETTO MEZZOTONDO
A L VETRO/MURO IN OTTONE**

Spessore vetro mm 6-8-10-12

**L-SHAPED HALF MOON GLASS TO
WALL CLAMP IN BRASS**

Glass thickness mm 6-8-10-12



Codice / Code	Finiture / Finishes	Prezzo / Price
E04R02715	cromo lucido/polished chrome	€ 23,34 pz/pcs
E04R02716	cromo opaco/opaque chrome	€ 23,34 pz/pcs
E04R02713	oro lucido/polished gold	€ 25,69 pz/pcs

Morsetti per Box doccia

Clamps for Showers

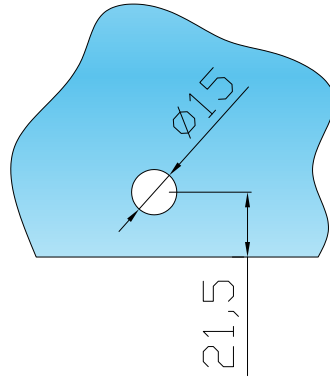


GFS
Innovate by Design



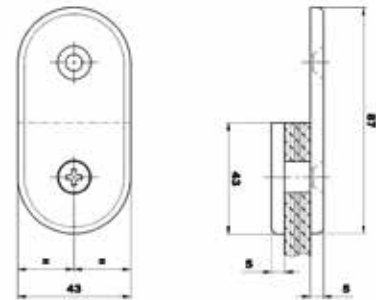
Box: 01 pz/pcs

Lavorazione sul vetro
Processing on the glass



MORSETTO MEZZOTONDO PIANO VETRO/MURO IN OTTONE
Spessore vetro mm 6-8-10-12

HALF MOON GLASS-TO-WALL CLAMP IN BRASS
Glass thickness mm 6-8-10-12

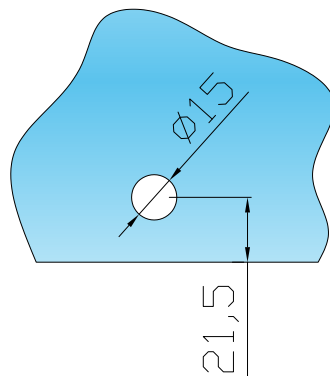


Codice/Code	Finiture/Finishes	Prezzo/Price
E04R03715	Cromo lucido/polished chrome	€ 23,34 pz/pcs
E04R03716	Cromo opaco/opaque chrome	€ 23,34 pz/pcs
E04R03713	Oro lucido/polished gold	€ 25,69 pz/pcs



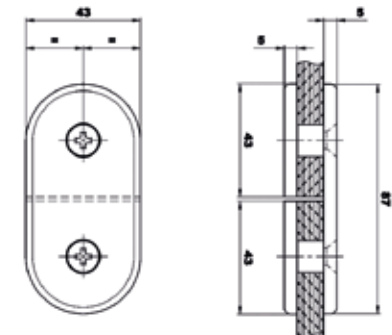
Box: 01 pz/pcs

Lavorazione sul vetro
Processing on the glass



MORSETTO MEZZOTONDO PIANO VETRO/VETRO IN OTTONE
Spessore vetro mm 6-8-10-12

HALF MOON GLASS-TO-GLASS CLAMP IN BRASS
Glass thickness mm 6-8-10-12

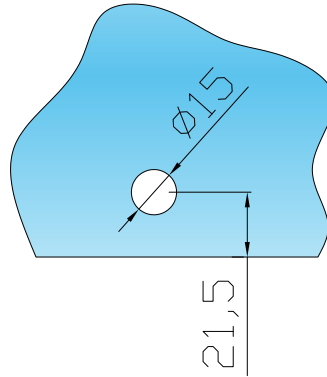


Codice/Code	Finiture/Finishes	Prezzo/Price
E04R04715	Cromo lucido/polished chrome	€ 29,16 pz/pcs
E04R04716	Cromo opaco/opaque chrome	€ 29,16 pz/pcs
E04R04713	Oro lucido/polished gold	€ 31,42 pz/pcs



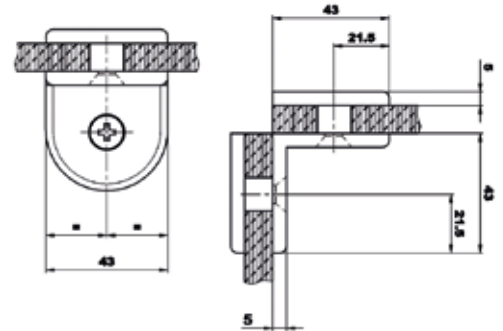
Box: 01 pz/pcs

Lavorazione sul vetro
Processing on the glass



**MORSETTO MEZZOTONDO
A L VETRO/VETRO IN OTTONE**
Spessore vetro mm 6-8-10-12

L-SHAPED HALF MOON GLASS-TO-GLASS CLAMP IN BRASS
Glass thickness mm 6-8-10 12

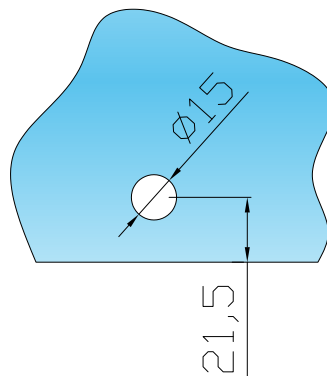


Codice / Code	Finiture / Finishes	Prezzo / Price
E04R05715	715 cromo lucido/polished chrome	€ 29,16 pz/pcs
E04R05716	716 cromo opaco/opaque chrome	€ 29,16 pz/pcs
E04R05713	713 oro lucido/polished gold	€ 31,42 pz/pcs



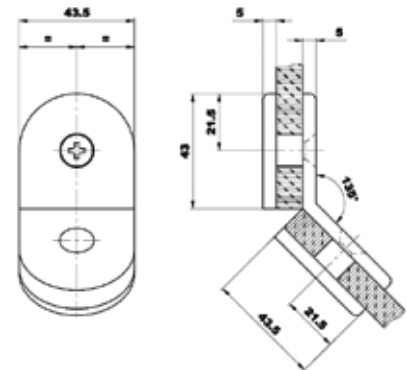
Box: 01 pz/pcs

Lavorazione sul vetro
Processing on the glass



**MORSETTO MEZZOTONDO
A 135° VETRO/VETRO IN OTTONE**
Spessore vetro mm 6-8-10-12

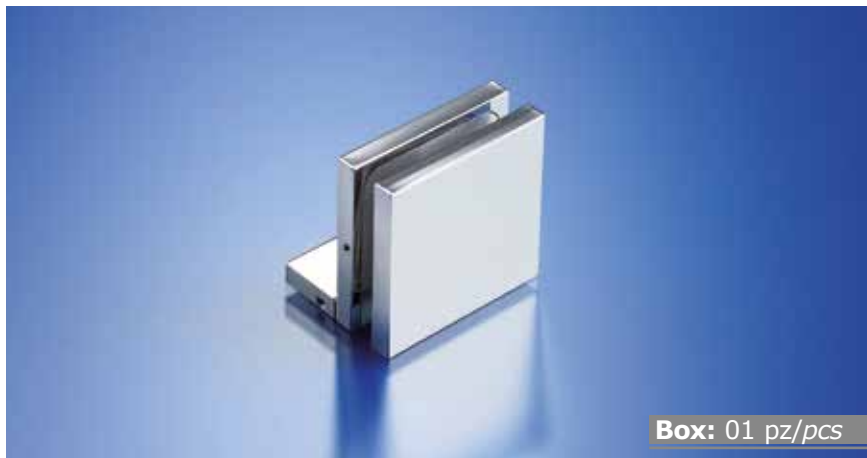
HALF MOON GLASS-TO-GLASS CLAMP 135° DEGREES IN BRASS
Glass thickness mm 6-8-10-12



Codice / Code	Finiture / Finishes	Prezzo / Price
E04R06715	715 cromo lucido/polished chrome	€ 29,16 pz/pcs
E04R06716	716 cromo opaco/opaque chrome	€ 29,16 pz/pcs
E04R06713	713 oro lucido/polished gold	€ 31,42 pz/pcs

Morsetti per Box doccia

Clamps for Showers



Box: 01 pz/pcs

MORSETTO QUADRATO MM 50X50 VETRO-MURO

Ottone
Spessore vetro mm 6-8-10

SQUARED GLASS-TO-WALL CLAMP 50X50 MM

Brass
Glass thickness 6-8-10 mm

Spessore della cromatura 25 μ
Thickness of chromium plating 25 μ

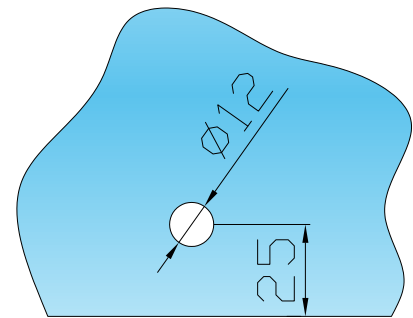
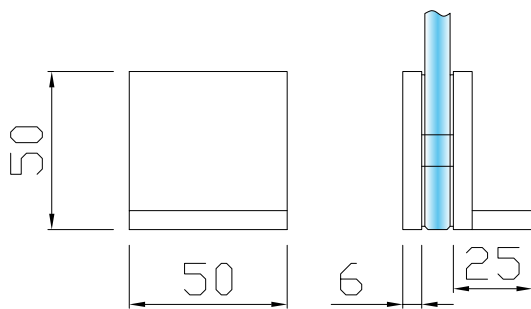
Lavorazione sul vetro
Processing on the glass

Codice/Code Finiture/Finishes

- E04M08715** cromo lucido/polished chrome
- E04M08716** cromo opaco/opaque chrome
- E04M08720** simile acciaio inox/similar stainless steel

Prezzo/Price

- € 37,59 pz/pcs
- € 39,48 pz/pcs
- € 44,88 pz/pcs





Morsetti Linea GFS

Clamps GFS Line

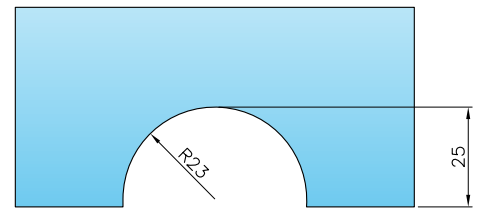


Box: 01 pz/pcs

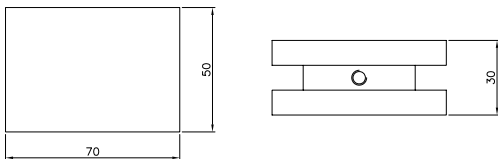
MORSETTO
Spessore vetro 10-12 mm

CLAMP
Glass thickness 10-12 mm

Lavorazione sul vetro
Processing on the glass



Codice / Code	Finiture / Finishes	Prezzo / Price
GFS08001810	acciaio inox satinato/satin stainless steel	€ 27,70 pz/pcs
GFS08001812	acciaio inox lucido/polished stainless steel	€ 29,80 pz/pcs
GFS08001813	acciaio oro lucido (a richiesta) polished gold stainless steel (on request)	
GFS08001814	acciaio bronzato (a richiesta) bronze stainless steel (on request)	

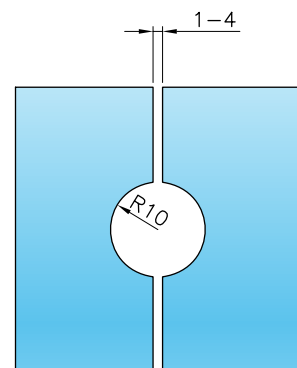


Box: 01 pz/pcs

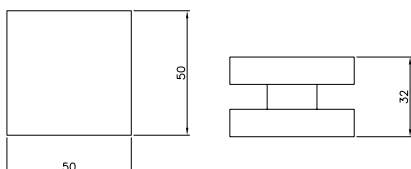
MORSETTO DUE VOLUMI
Spessore vetro 10-12 mm

DOUBLE CLAMP
Glass thickness 10-12 mm

Lavorazione sul vetro
Processing on the glass



Codice / Code	Finiture / Finishes	Prezzo / Price
GFS02201810	acciaio inox satinato/satin stainless steel	€ 21,00 pz/pcs
GFS02201812	acciaio inox lucido/polished stainless steel	€ 23,10 pz/pcs
GFS02201813	acciaio oro lucido (a richiesta) polished gold stainless steel (on request)	
GFS02201814	acciaio bronzato (a richiesta) bronze stainless steel (on request)	



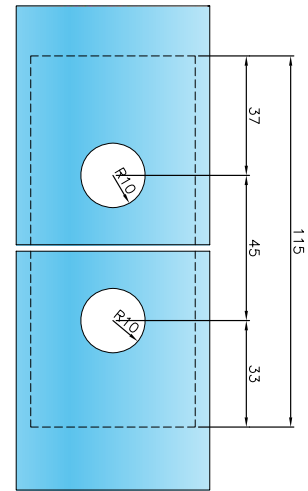


Box: 01 pz/pcs

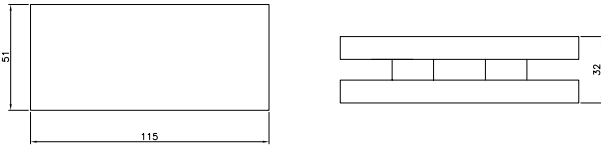
MORSETTO DUE VOLUMI
Spessore vetro 10-12 mm

DOUBLE CLAMP
Glass thickness 10-12 mm

Lavorazione sul vetro
Processing on the glass



Codice / Code	Finiture / Finishes	Prezzo / Price
GFS08101810	acciaio inox satinato/ <i>satin stainless steel</i>	€ 39,90 pz/pcs
GFS08101812	acciaio inox lucido/ <i>polished stainless steel</i>	€ 42,06 pz/pcs
GFS08101813	acciaio oro lucido (a richiesta) <i>polished gold stainless steel (on request)</i>	
GFS08101814	acciaio bronzato (a richiesta) <i>bronze stainless steel (on request)</i>	

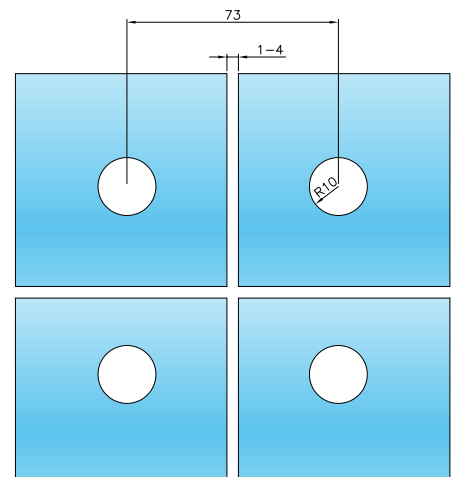


Box: 01 pz/pcs

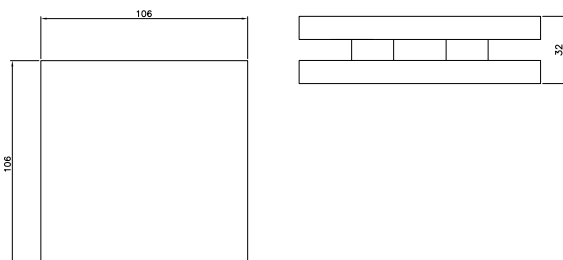
MORSETTO QUATTRO VOLUMI
Spessore vetro 10-12 mm

4 PANELS FLAT CLAMP
Glass thickness 10-12 mm

Lavorazione sul vetro
Processing on the glass



Codice / Code	Finiture / Finishes	Prezzo / Price
GFS02401810	acciaio inox satinato/ <i>satin stainless steel</i>	€ 50,43 pz/pcs
GFS02401812	acciaio inox lucido/ <i>polished stainless steel</i>	€ 52,82 pz/pcs
GFS02401813	acciaio oro lucido (a richiesta) <i>polished gold stainless steel (on request)</i>	
GFS02401814	acciaio bronzato (a richiesta) <i>bronze stainless steel (on request)</i>	



Morsetti Linea GFS

Clamps GFS Line



Box: 01 pz/pcs

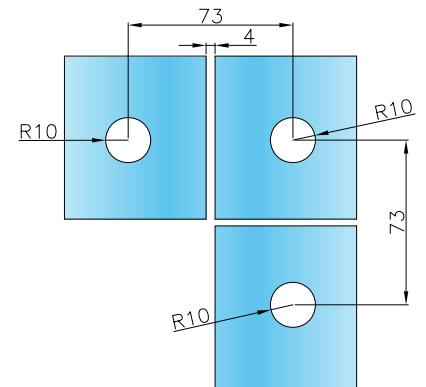
MORSETTO SOPRALUCE E LATERALE

Spessore vetro 10-12 mm

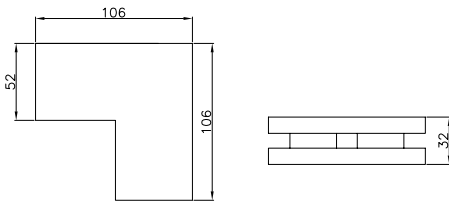
LATERAL AND TRANSOM CLAMP

Glass thickness 10-12 mm

Lavorazione sul vetro
Processing on the glass



Codice / Code	Finiture / Finishes	Prezzo / Price
GFS08201810	acciaio inox satinato/satin stainless steel	€ 38,98 pz/pcs
GFS08201812	acciaio inox lucido/polished stainless steel	€ 41,12 pz/pcs
GFS08201813	acciaio oro lucido (a richiesta) polished gold stainless steel (on request)	
GFS08201814	acciaio bronzato (a richiesta) bronze stainless steel (on request)	



Box: 01 pz/pcs

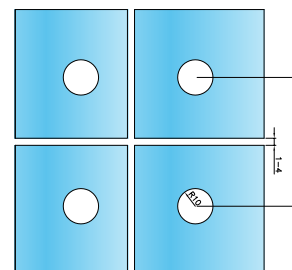
MORSETTO QUATTRO VOLUMI CON LATERALE

Spessore vetro 10-12 mm

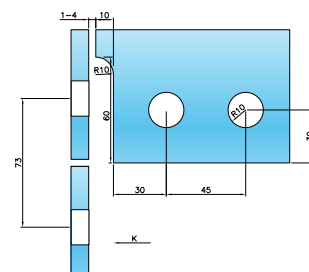
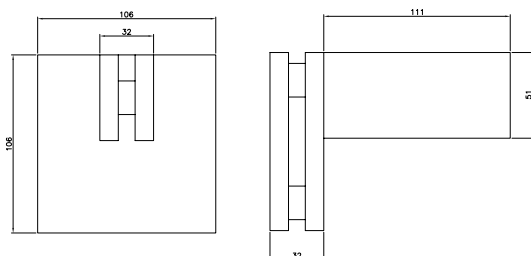
TRANSOM WITH LATERAL CLAMP

Glass thickness 10-12 mm

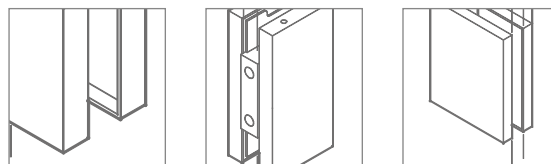
Lavorazione sul vetro
Processing on the glass



Codice / Code	Finiture / Finishes	Prezzo / Price
GFS08301810	acciaio inox satinato/satin stainless steel	€ 73,76 pz/pcs
GFS08301812	acciaio inox lucido/polished stainless steel	€ 77,47 pz/pcs
GFS08301813	acciaio oro lucido (a richiesta) polished gold stainless steel (on request)	
GFS08301814	acciaio bronzato (a richiesta) bronze stainless steel (on request)	



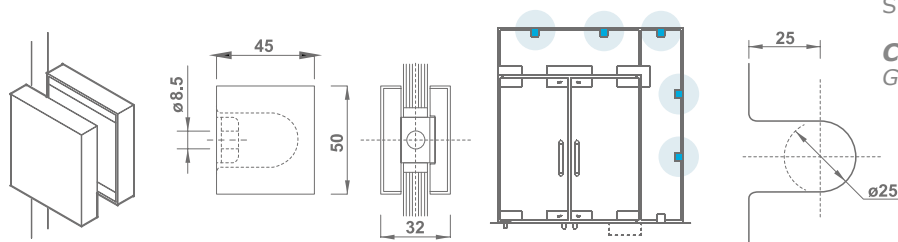
Morsetti Linea Standard Clamps Standard Line



GFS
Innovate by Design

MORSETTO
Spessore vetro mm 8-10-12-1/2"

CLAMP
Glass thickness mm 8-10-12-1/2"

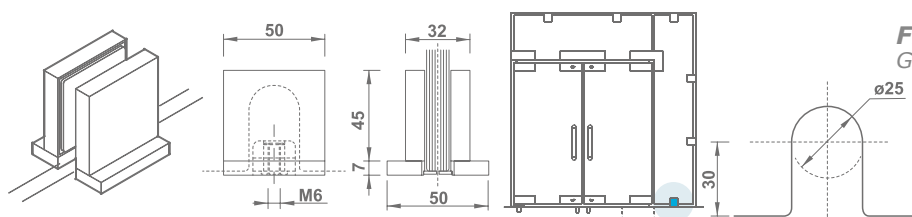


Codice/Code	Finiture/Finishes	Prezzo/Price
56000611	alluminio anodizzato naturale/natural anodized aluminium	€ 23,60 pz/pcs
56000620	alluminio anodizzato nero/black anodized alluminio	€ 25,42 pz/pcs
56000712	ottone lucido/polished brass	€ 36,82 pz/pcs
56000810	acciaio inox satinato/satin stainless steel	€ 29,47 pz/pcs
56000812	acciaio inox lucido/polished stainless steel	€ 33,04 pz/pcs

Box: 01 pz/pcs

MORSETTO A PAVIMENTO
Spessore vetro mm 8-10-12-1/2"

FLOOR CLAMP
Glass thickness mm 8-10-12-1/2"

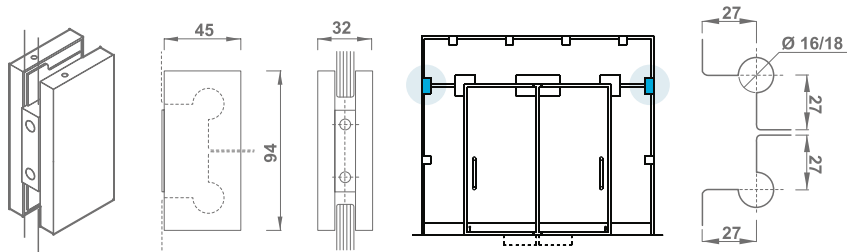


Codice/Code	Finiture/Finishes	Prezzo/Price
56010611	alluminio anodizzato naturale/natural anodized aluminium	€ 30,32 pz/pcs
56010620	alluminio anodizzato nero/black anodized alluminio	€ 33,15 pz/pcs
56010712	ottone lucido/polished brass	€ 50,93 pz/pcs
56010810	acciaio inox satinato/satin stainless steel	€ 39,47 pz/pcs
56010812	acciaio inox lucido/polished stainless steel	€ 45,04 pz/pcs

Box: 01 pz/pcs

MORSETTO DUE VOLUMI A MURO
Spessore vetro mm 8-10-12-1/2"

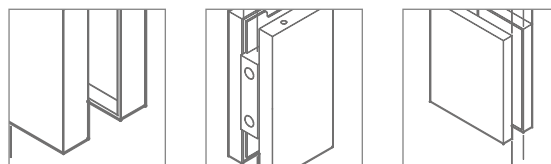
DOUBLE WALL TO GLASS CLAMP
Glass thickness mm 8-10-12-1/2"



Codice/Code	Finiture/Finishes	Prezzo/Price
56210611	alluminio anodizzato naturale/natural anodized aluminium	€ 45,86 pz/pcs
56210620	alluminio anodizzato nero/black anodized alluminio	€ 49,59 pz/pcs
56210712	ottone lucido/polished brass	€ 64,51 pz/pcs
56210810	acciaio inox satinato/satin stainless steel	€ 57,99 pz/pcs
56210812	acciaio inox lucido/polished stainless steel	€ 65,38 pz/pcs

Box: 01 pz/pcs

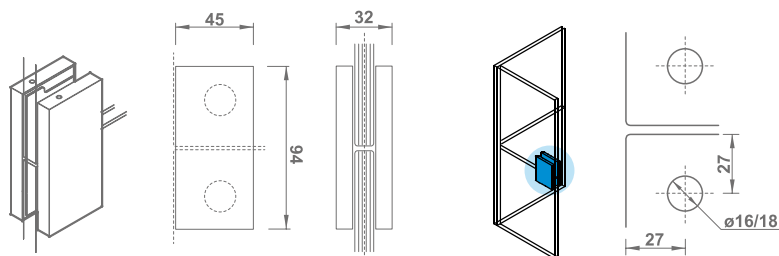
Morsetti Linea Standard Clamps Standard Line



GFS
Innovate by Design

MORSETTO DUE VOLUMI LIBERO
Spessore vetro mm 8-10-12-1/2"

DOUBLE CLAMP WITHOUT RETURN
Glass thickness mm 8-10-12-1/2"



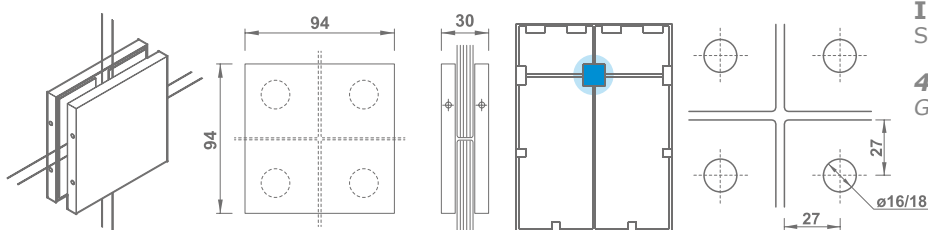
Codice/Code	Finiture/Finishes	Prezzo/Price
56240611	alluminio anodizzato naturale/natural anodized aluminium	€ 45,86 pz/pcs
56240620	alluminio anodizzato nero/black anodized alluminio	€ 49,59 pz/pcs
56240712	ottone lucido/polished brass	€ 64,51 pz/pcs
56240810	acciaio inox satinato/satin stainless steel	€ 57,99 pz/pcs
56240812	acciaio inox lucido/polished stainless steel	€ 65,38 pz/pcs

Box: 01 pz/pcs

**MORSETTO QUATTRO VOLUMI
IN PIANO**

Spessore vetro mm 8-10-12-1/2"

4 PANELS FLAT CLAMP
Glass thickness mm 8-10-12-1/2"

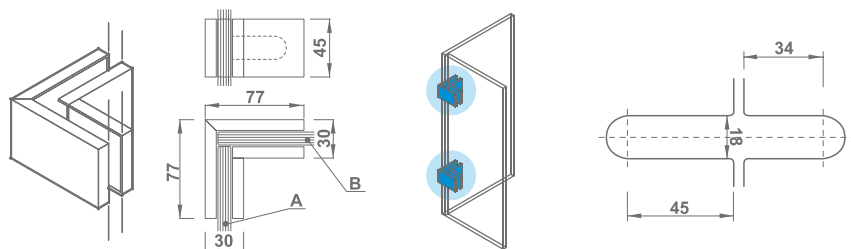


Codice/Code	Finiture/Finishes	Prezzo/Price
56500611	alluminio anodizzato naturale/natural anodized aluminium	€ 66,53 pz/pcs
56500620	alluminio anodizzato nero/black anodized alluminio	€ 70,31 pz/pcs
56500712	ottone lucido/polished brass	€ 94,25 pz/pcs
56500810	acciaio inox satinato/satin stainless steel	€ 78,82 pz/pcs
56500812	acciaio inox lucido/polished stainless steel	€ 86,31 pz/pcs

Box: 01 pz/pcs

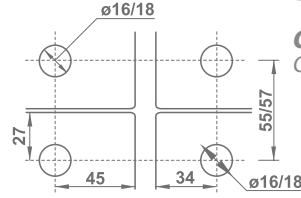
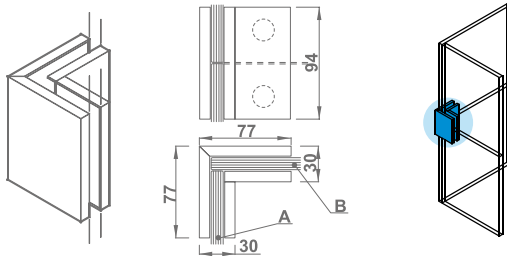
MORSETTO DUE VOLUMI A 90°
Spessore vetro mm 8-10-12-1/2"

DOUBLE CLAMP 90°
Glass thickness mm 8-10-12-1/2"



Codice/Code	Finiture/Finishes	Prezzo/Price
56300611	alluminio anodizzato naturale/natural anodized aluminium	€ 85,85 pz/pcs
56300620	alluminio anodizzato nero/black anodized alluminio	€ 92,43 pz/pcs
56300712	ottone lucido/polished brass	€ 134,08 pz/pcs
56300810	acciaio inox satinato/satin stainless steel	€ 107,23 pz/pcs
56300812	acciaio inox lucido/polished stainless steel	€ 120,27 pz/pcs

Box: 01 pz/pcs



MORSETTO QUATTRO VOLUMI A 90°

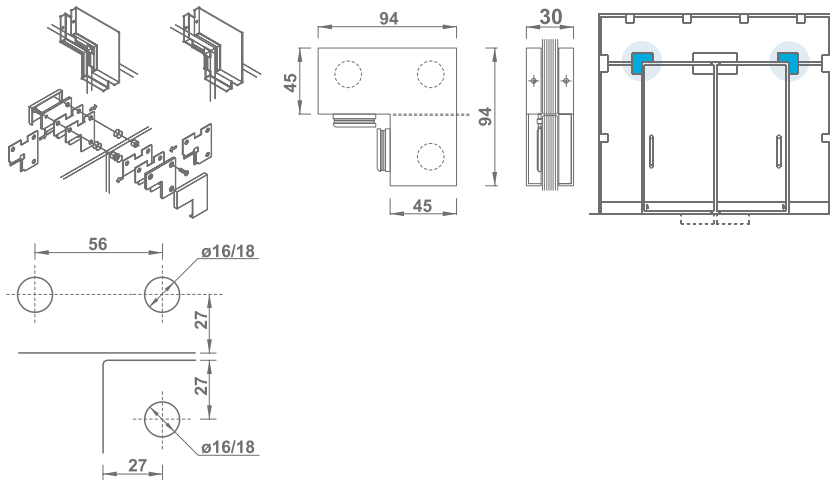
Spessore vetro mm 8-10-12-1/2"

COLAMP 4 PANELS 90°

Glass thickness mm 8-10-12-1/2"

Codice/Code	Finiture/Finishes	Prezzo/Price
56400611	alluminio anodizzato naturale/natural anodized aluminium	€ 112,39 pz/pcs
56400620	alluminio anodizzato nero/black anodized aluminium	€ 119,95 pz/pcs
56400712	ottone lucido/polished brass	€ 167,83 pz/pcs
56400810	acciaio inox satinato/satin stainless steel	€ 136,96 pz/pcs
56400812	acciaio inox lucido/polished stainless steel	€ 151,95 pz/pcs

Box: 01 pz/pcs



MORSETTO SOPRALUCE E LATERALE

Spessore vetro mm 8-10-12-1/2"

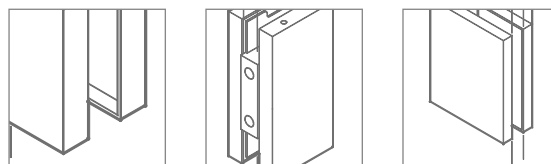
LATERAL TRANSOM CLAMP

Glass thickness mm 8-10-12-1/2"

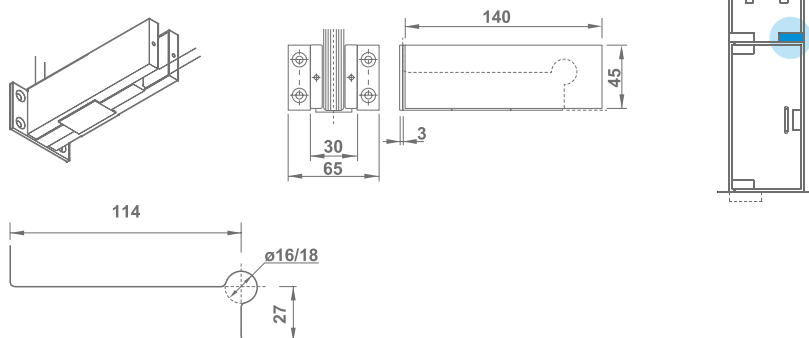
Codice/Code	Finiture/Finishes	Prezzo/Price
54610611	alluminio anodizzato naturale/natural anodized aluminium	€ 73,42 pz/pcs
54610620	alluminio anodizzato nero/black anodized aluminium	€ 78,71 pz/pcs
54610712	ottone lucido/polished brass	€ 112,23 pz/pcs
54610810	acciaio inox satinato/satin stainless steel	€ 90,62 pz/pcs
54610812	acciaio inox lucido/polished stainless steel	€ 101,11 pz/pcs

Box: 01 pz/pcs

Morsetti Linea Standard Clamps Standard Line



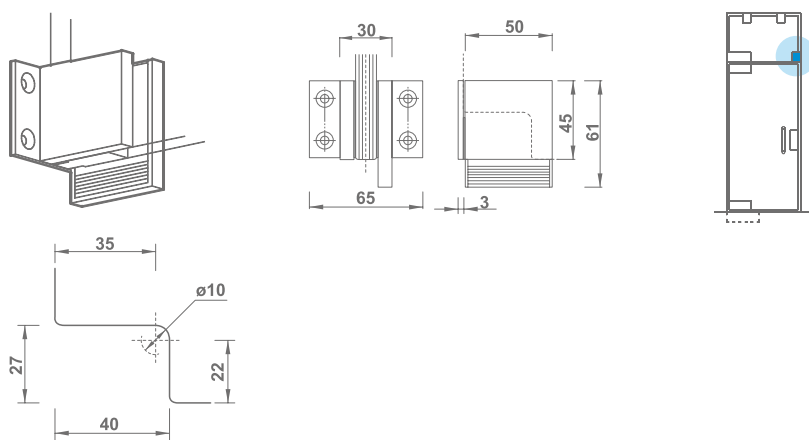
GFS
Innovate by Design



REGGI SOPRALUCE
Spessore vetro mm 8-10-12-1/2"

TRANSOM
Glass thickness mm 8-10-12-1/2"

Codice/Code	Finiture/Finishes	Prezzo/Price	Box: 01 pz/pcs
53200611	alluminio anodizzato naturale/natural anodized aluminium	€ 60,73 pz/pcs	
53200620	alluminio anodizzato nero/black anodized aluminium	€ 65,04 pz/pcs	
53200712	ottone lucido/polished brass	€ 98,99 pz/pcs	
53200810	acciaio inox satinato/satin stainless steel	€ 82,22 pz/pcs	
53200812	acciaio inox lucido/polished stainless steel	€ 98,99 pz/pcs	



REGGI SOPRALUCE PICCOLO CON BATTUTA
Spessore vetro mm 8-10-12-1/2"

SMALL TRANSOM WITH STOP
Glass thickness mm 8-10-12-1/2"

Codice/Code	Finiture/Finishes	Prezzo/Price	Box: 01 pz/pcs
53610611	alluminio anodizzato naturale/natural anodized aluminium	€ 39,82 pz/pcs	
53610620	alluminio anodizzato nero/black anodized aluminium	€ 43,55 pz/pcs	
53610712	ottone lucido/polished brass	€ 67,03 pz/pcs	
53610810	acciaio inox satinato/satin stainless steel	€ 58,38 pz/pcs	
53610812	acciaio inox lucido/polished stainless steel	€ 67,03 pz/pcs	



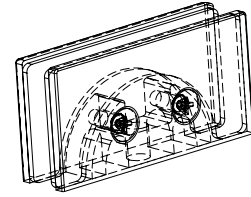
Box: 01 pz/pcs

**MORSETTO RETTANGOLARE
MM 70X35**

Acciaio AISI 304
Spessore vetro mm 8-10

RECTANGULAR CLAMP MM 70X35

Stainless steel AISI 304
Glass thickness mm 8-10



Codice/Code	Finiture/Finishes	Prezzo/Price
E04E01810	satinato/satin	€ 15,04 pz/pcs
E04E01812	lucido/polished	€ 17,33 pz/pcs

Lavorazione sul vetro
Processing on the glass

